

4

3

2

1

D

D

C

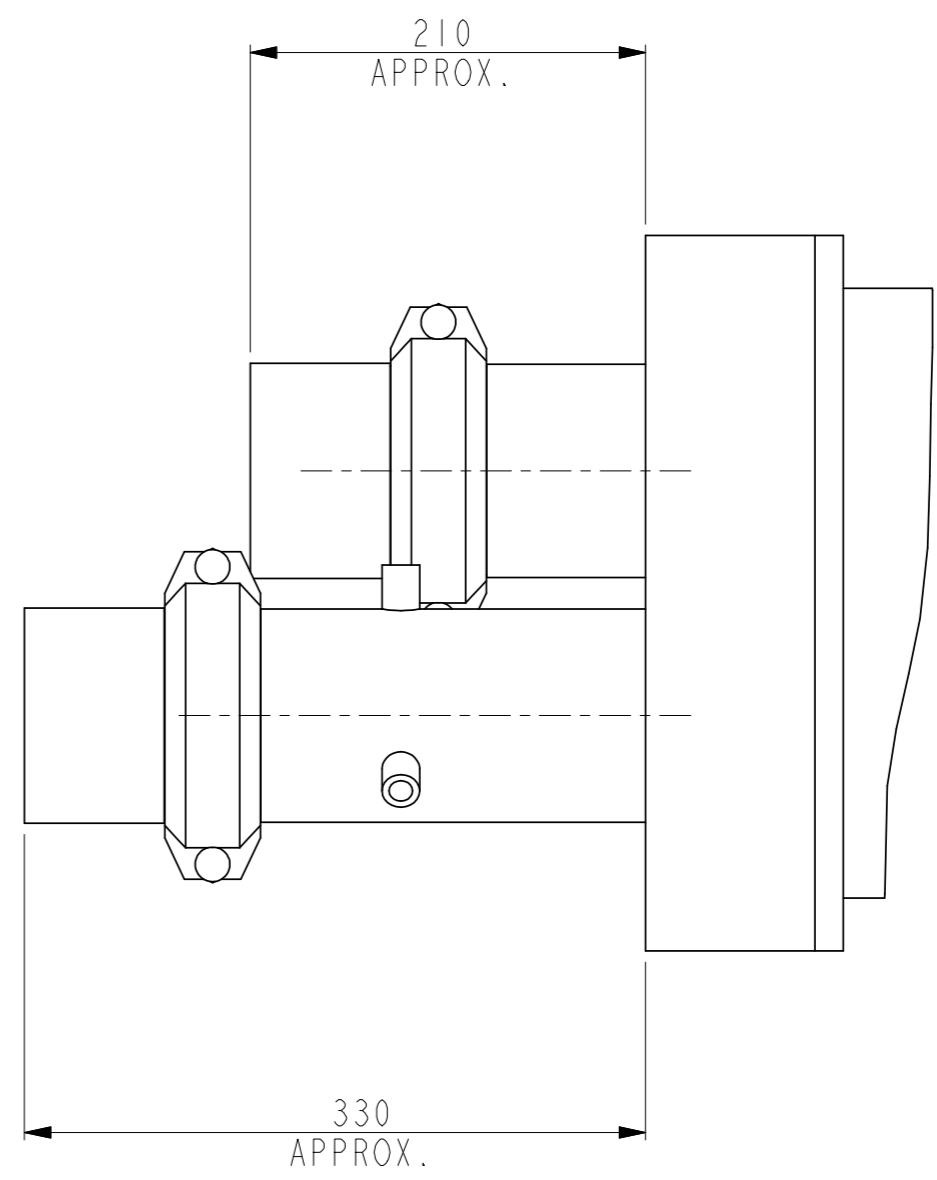
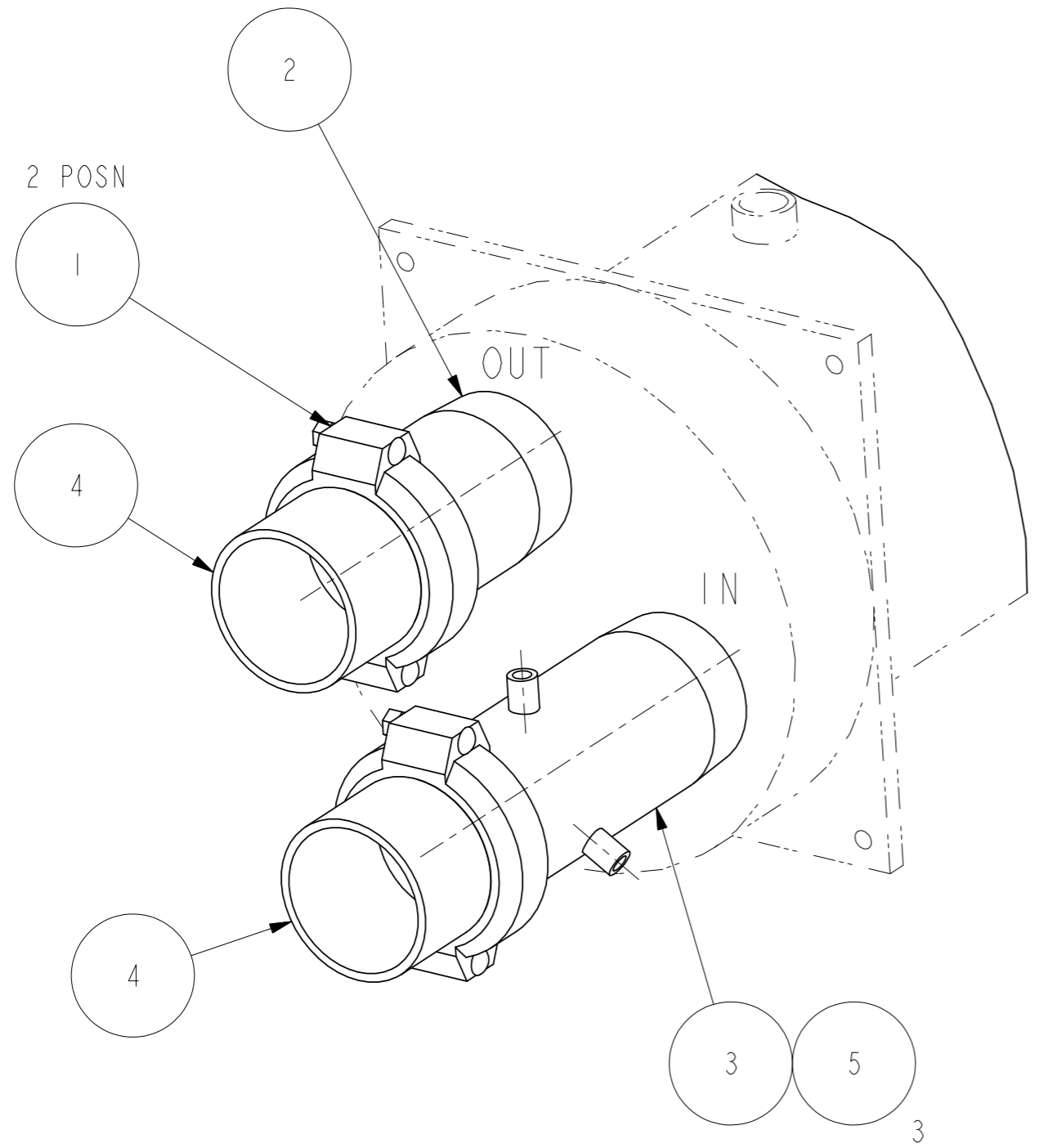
C

B

B

A

A



				YORK INTERNATIONAL CORPORATION GARDINERS LANE SOUTH, BASILDON, ESSEX. SS14 3HE			
DIMENSIONS ARE IN MM DO NOT SCALE TOLERANCES PER ED0022 WELDING PER WELD INDEX		EXTENSION KIT VICTAULIC 4" CONDENSER YLCS		MATERIAL NOT APPLICABLE ENG. STD. NOT APPLICABLE PART NO.		DRAWING NUMBER 362L18514-000	
DRAWN M. BEAUMONT 18-OCT-2004 MODELER M. BEAUMONT 18-OCT-2004 CHKD - ENG -	A3		CAGE NUMBER XXXXX	REVISION - VERSION 6+		SCALE : 0.250 WEIGHT : - KG ORIG. NO. NONE SHEET: 1 OF 1 RELEASED	

REV	DATE	REVISION RECORD	EC. NO.	DR.	CHK.	ENG.	"ALL PROPRIETARY RIGHTS IN THE SUBJECT MATTER HEREOF ARE RESERVED AND NO PERMISSION IS GRANTED TO REPRODUCE THIS PRINT IN WHOLE OR IN ANY PART, OR DISCLOSE ANY OF THE INFORMATION UPON IT TO OTHERS WITHOUT WRITTEN RELEASE BY YORK INTERNATIONAL CORPORATION"
-	18-OCT-2004	PRODUCT RELEASE	20040003	MB	-	-	

4

3

2

1