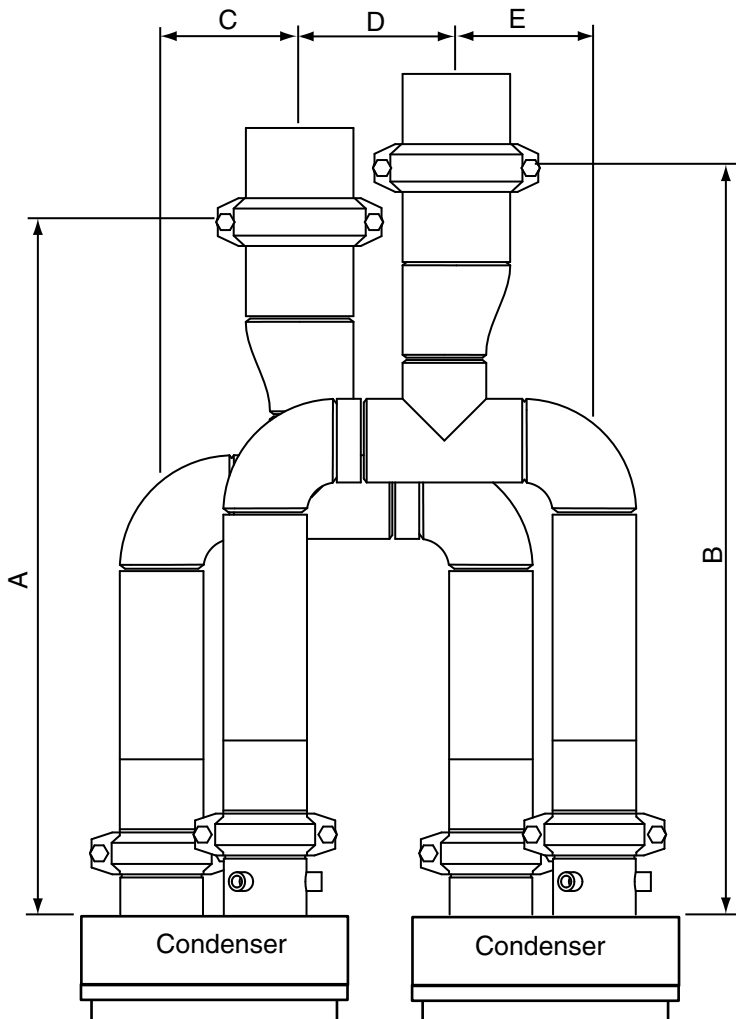


| MANIFOLD KIT FLANGED | | | | | |
|----------------------|----------------|-----|-----|-----|-----|
| | DIMENSION (mm) | | | | |
| MODEL | A | B | C | D | E |
| 0350 | 565 | 496 | 123 | 176 | 123 |
| 0415 | 741 | 799 | 147 | 167 | 147 |
| 0480 | 741 | 799 | 147 | 167 | 147 |
| 0530 | 741 | 799 | 147 | 167 | 147 |
| 0575 | 741 | 799 | 147 | 167 | 147 |
| 0620 | 741 | 799 | 147 | 167 | 147 |
| 0660 | 741 | 799 | 147 | 167 | 147 |
| 0725 | 730 | 730 | 233 | 303 | 233 |
| 0840 | 730 | 730 | 233 | 303 | 233 |
| 0955 | 730 | 730 | 233 | 303 | 233 |
| 1050 | 730 | 730 | 233 | 303 | 233 |
| 1110 | 730 | 730 | 233 | 303 | 233 |

NOTE:
 ALL DIMENSIONS APPROXIMATE
 FLANGES TO BS 4504 PN10.
 MANIFOLD KIT CUSTOMER CONNECTIONS
 MODELS 0350 TO 0660 = 4"
 MODELS 0725 TO 1110 = 6"



| MANIFOLD KIT VICTAULIC | | | | | |
|------------------------|----------------|-----|-----|-----|-----|
| | DIMENSION (mm) | | | | |
| MODEL | A | B | C | D | E |
| 0350 | 616 | 546 | 123 | 176 | 123 |
| 0415 | 836 | 894 | 147 | 167 | 147 |
| 0480 | 836 | 894 | 147 | 167 | 147 |
| 0530 | 836 | 894 | 147 | 167 | 147 |
| 0575 | 836 | 894 | 147 | 167 | 147 |
| 0620 | 836 | 894 | 147 | 167 | 147 |
| 0660 | 836 | 894 | 147 | 167 | 147 |
| 0725 | 825 | 825 | 233 | 303 | 233 |
| 0840 | 825 | 825 | 233 | 303 | 233 |
| 0955 | 825 | 825 | 233 | 303 | 233 |
| 1050 | 825 | 825 | 233 | 303 | 233 |
| 1110 | 825 | 825 | 233 | 303 | 233 |

NOTE:
 ALL DIMENSIONS APPROXIMATE
 MANIFOLD KIT CUSTOMER CONNECTIONS
 MODELS 0350 TO 0660 = 4"
 MODELS 0725 TO 1110 = 6"