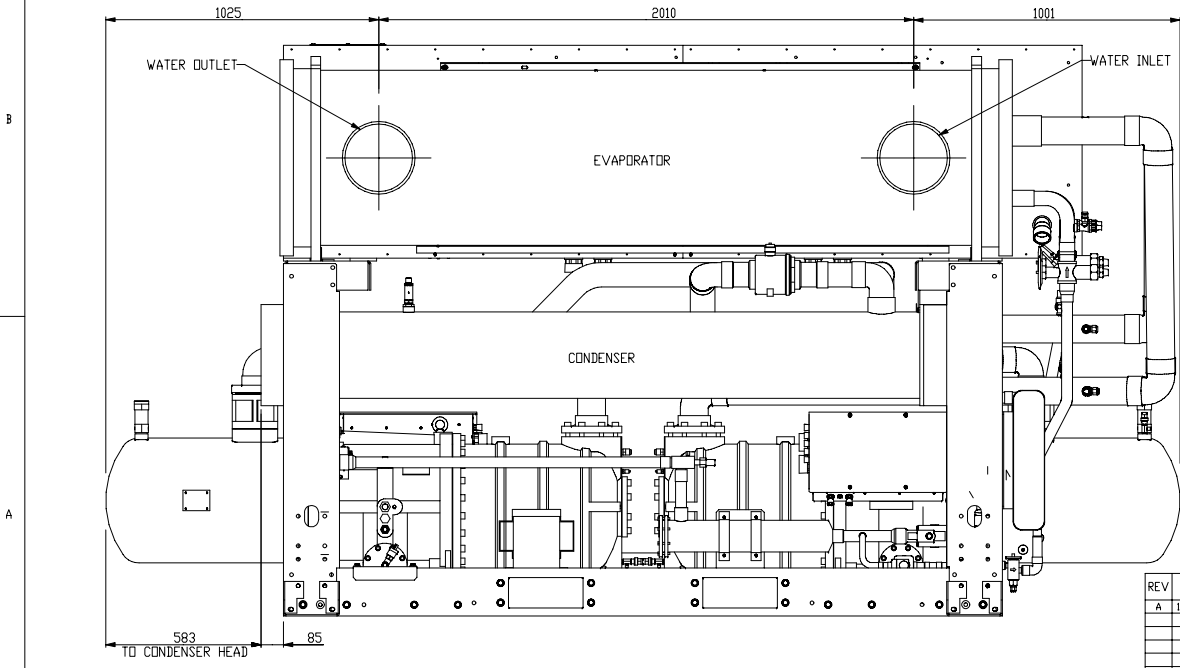
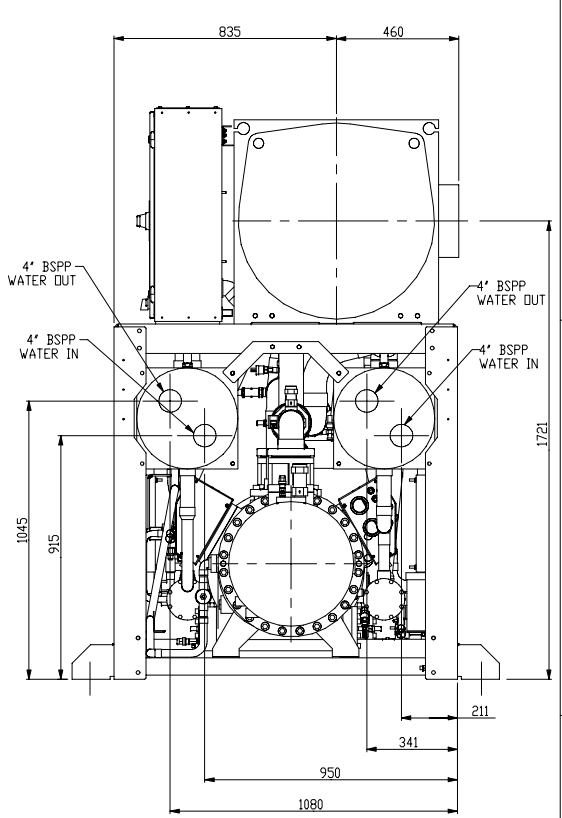
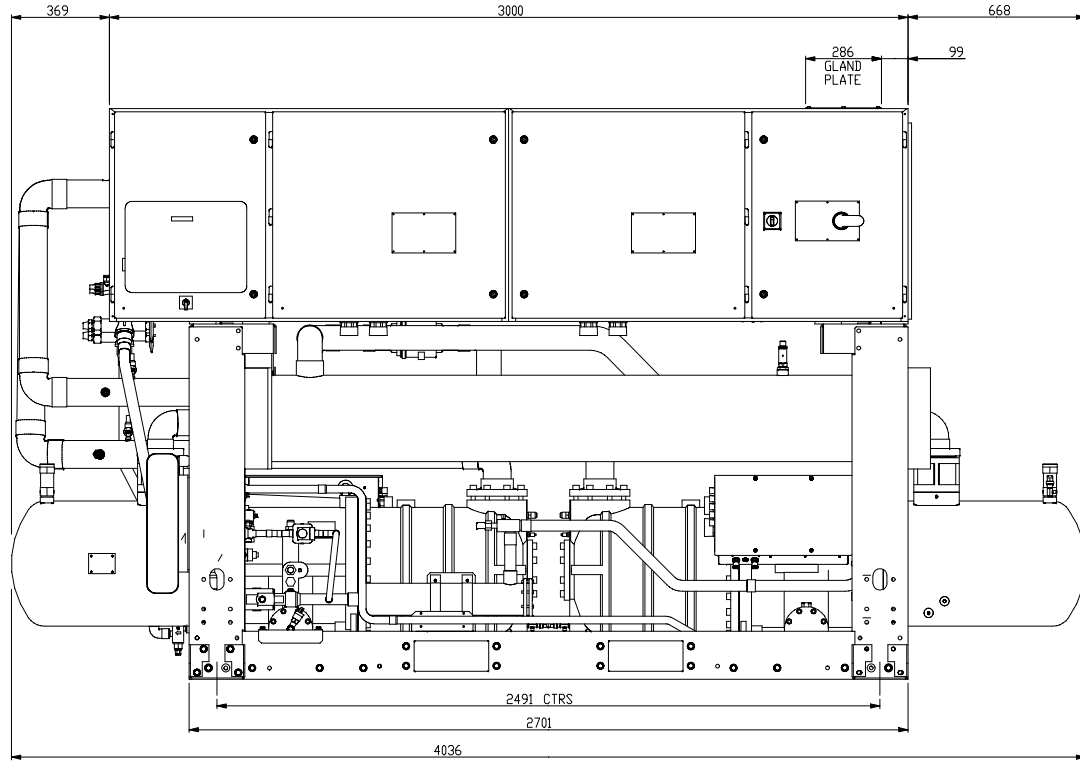
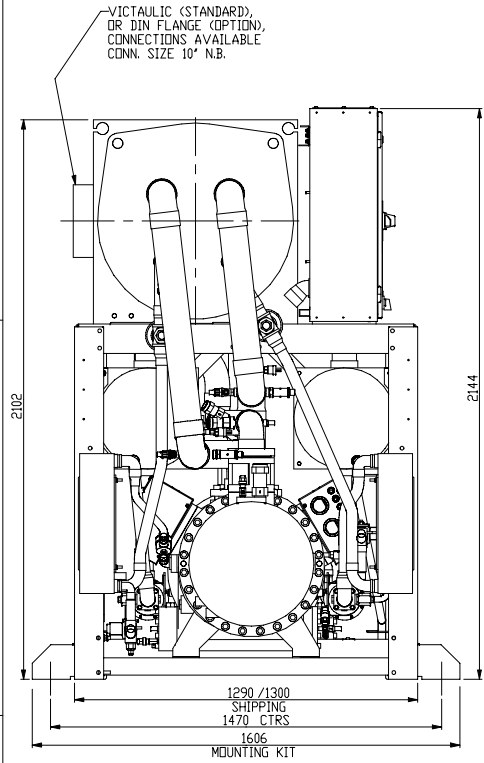


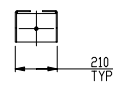
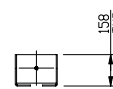
VICTAULIC (STANDARD),  
OR DIN FLANGE (OPTION),  
CONNECTIONS AVAILABLE  
CONN. SIZE 10" N.B.



NOTES  
YLCS 1110 IS SHOWN ON THIS DRAWING.  
THE YLCS 1050 IS IDENTICAL BUT  
WITHOUT HEAT EXCHANGERS AND  
ASSOCIATED PIPEWORK.

YLCS 1050  
SHIPPING WEIGHT = 5970 KG  
OPERATING WEIGHT = 6570 KG

YLCS 1110  
SHIPPING WEIGHT = 6000 KG  
OPERATING WEIGHT = 6610 KG



DETAIL SHOWING FLOOR AND  
VIBRATION ISOLATOR MOUNTING  
POSITIONS

SCALE 0.075

		<b>YORK INTERNATIONAL CORPORATION</b> GARDINERS LANE SOUTH, BASILDON, ESSEX, SS14 3HE	
DIMENSIONS ARE IN MM DO NOT SCALE TOLERANCES PER EN0022 WELDING PER WELD INDEX		UNIT ASSEMBLY YLCS 1050 AND 1110 SA AND HA MODELS	
ALL PROPRIETARY RIGHTS IN THE SUBJECT MATTER HEREBY ARE RESERVED AND NO PERMISSION IS GRANTED TO REPRODUCE THIS PRINT IN WHOLE OR IN ANY PART, OR TO DISCLOSE ANY OF THE INFORMATION UPON IT TO OTHERS WITHOUT WRITTEN RELEASE BY YORK INTERNATIONAL CORPORATION		MATERIAL NOT APPLICABLE ENG. STA. NOT APPLICABLE PART NO. CAGE NUMBER DRAWING NUMBER VERSION	
DRAWN: J.P. JONES 25-MAY-2004 CHECKED: JONES 25-MAY-2004 ENG.	EC. NO. 0055743 JR. MB CHK. - ENG. -	A1 xxxxxx 035L02716-000 SHEET: 1 OF 1	REVISED VERSION 42+ RELEASED

REV	DATE	REVISION RECORD	EC. NO.	JR.	CHK.	ENG.
A	10-JUN-2005	FLANGES REMOVED FROM EVAPORATORS	0055743	MB	-	-