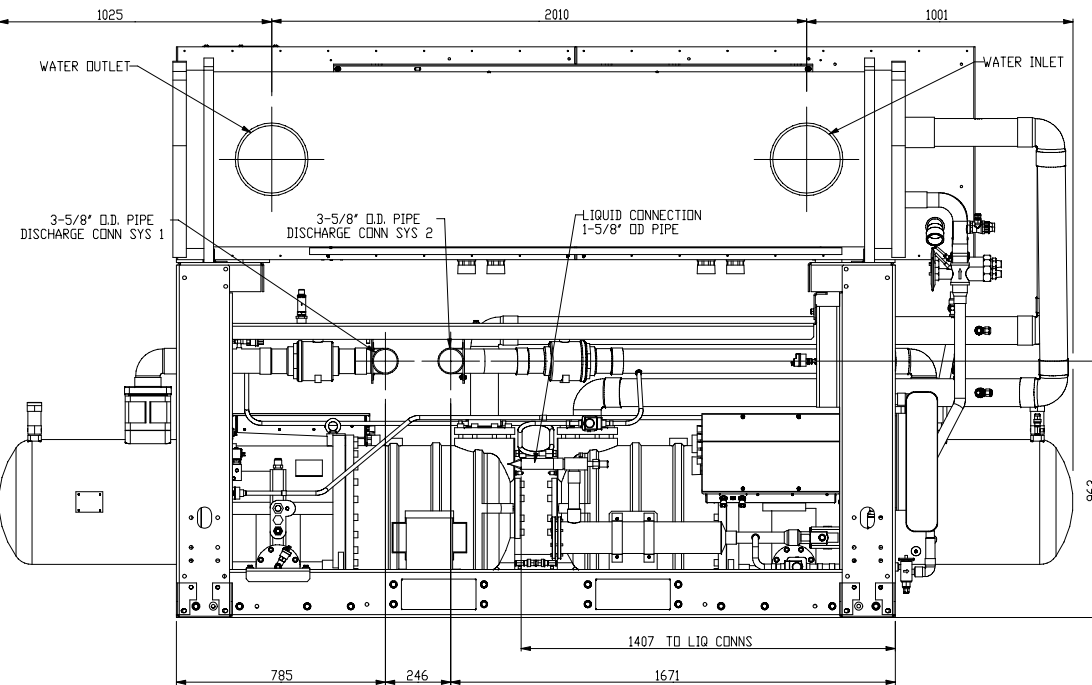
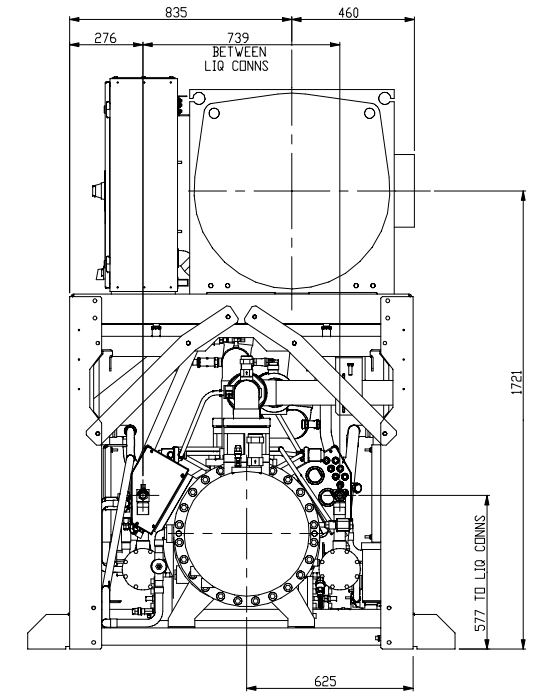
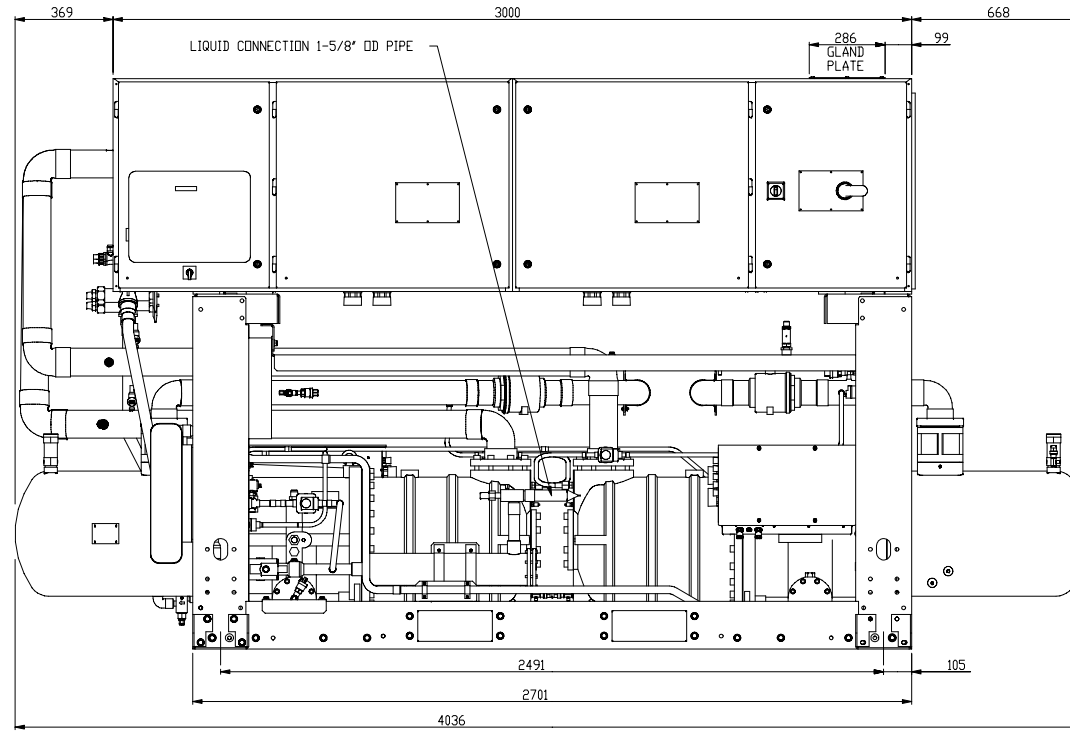
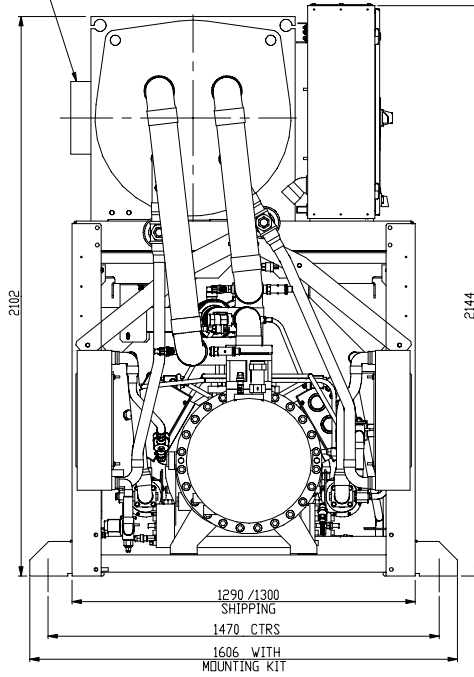


VICTAULIC (STANDARD)
OR DIN FLANGE (OPTION)
CONNECTIONS AVAILABLE
CONN. SIZE 10" N.B.



NOTES:
YLCS 1110 IS SHOWN ON THIS DRAWING.
NOTE THAT YLCS 1050 IS IDENTICAL BUT
WITHOUT HEAT EXCHANGER AND
ASSOCIATED PIPEWORK.

YLCS 1050AA
SHIPPING WEIGHT = 5205 KG
OPERATING WEIGHT = 5480 KG

YLCS 1110AA
SHIPPING WEIGHT = 5235 KG
OPERATING WEIGHT = 5520 KG



2491 CTRS

1470 CTRS

DETAIL SHOWING FLOOR AND
VIBRATION ISOLATOR MOUNTING
POSITIONS
SCALE 0.075



REV	DATE	REVISION RECORD	EC. NO.	DR.	CHK.	ENG.	ALL PROPRIETARY RIGHTS IN THE SUBJECT MATTER HEREOF ARE RESERVED AND NO PERMISSION IS GRANTED TO REPRODUCE THIS PRINT IN WHOLE OR IN ANY PART, OR DISCLOSE ANY OF THE INFORMATION UPON IT TO OTHERS WITHOUT WRITTEN RELEASE BY YORK INTERNATIONAL CORPORATION
A	10-JUN-2005	FLANGES REMOVED FROM EVAPORATORS	0055743	MB	-	-	

YORK INTERNATIONAL CORPORATION
GARDINERS LANE SOUTH, BASILDON, ESSEX, SS14 3HE

UNIT ASSEMBLY
YLCS
1050AA AND 1100AA MODELS
REMOTE CONDENSERS

SCALE = 1:100 WEIGHT = KG

DRAWING NUMBER
035L02733-000

VERSION
42+

SHEET: 1 OF 1 RELEASED