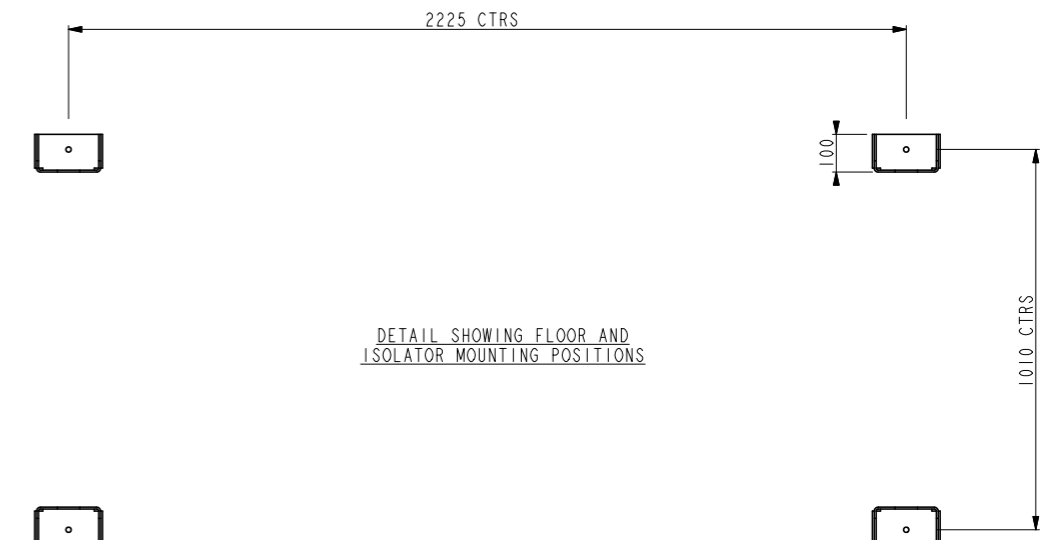
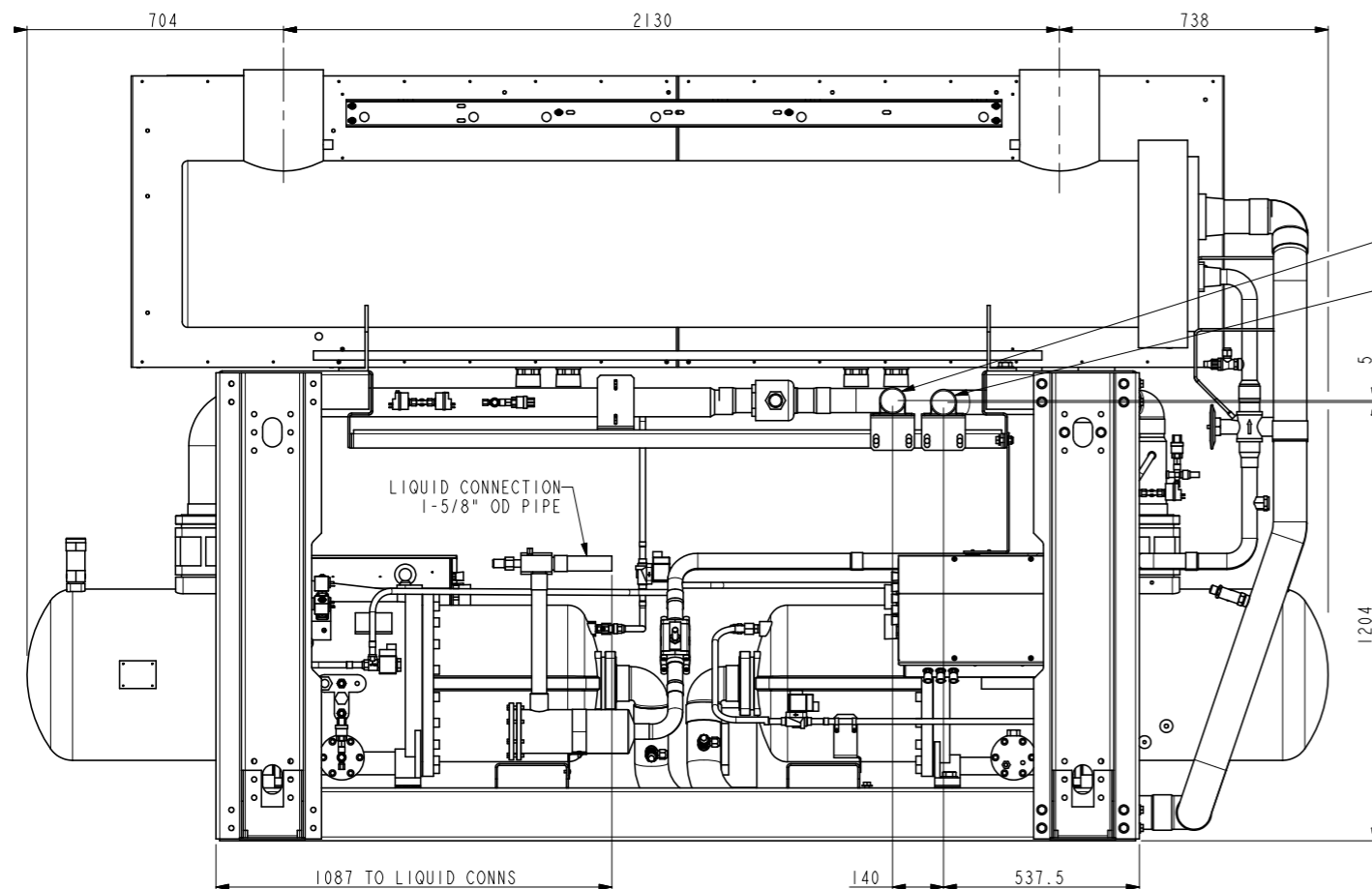
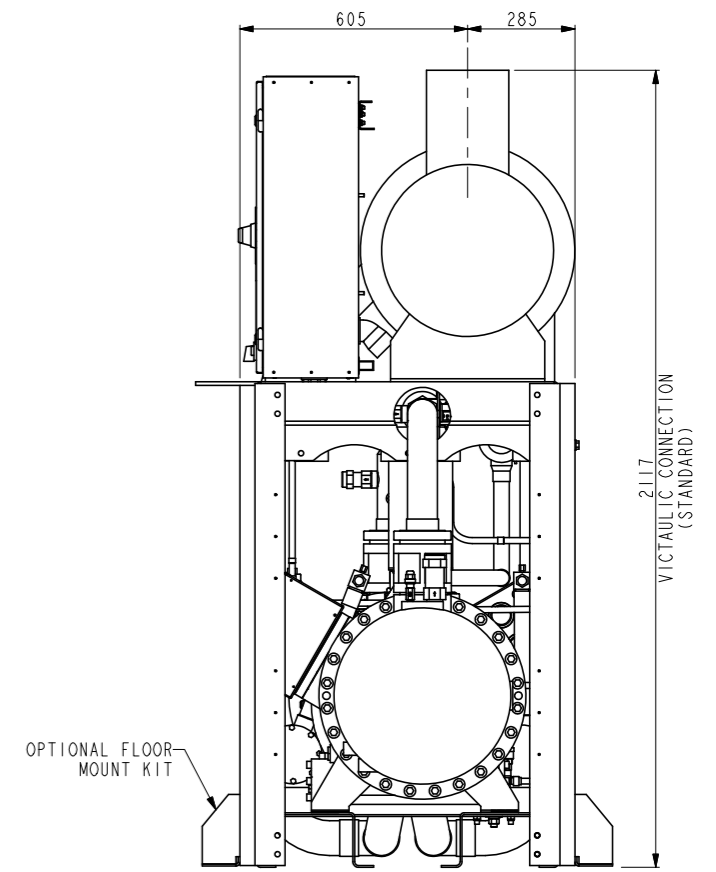
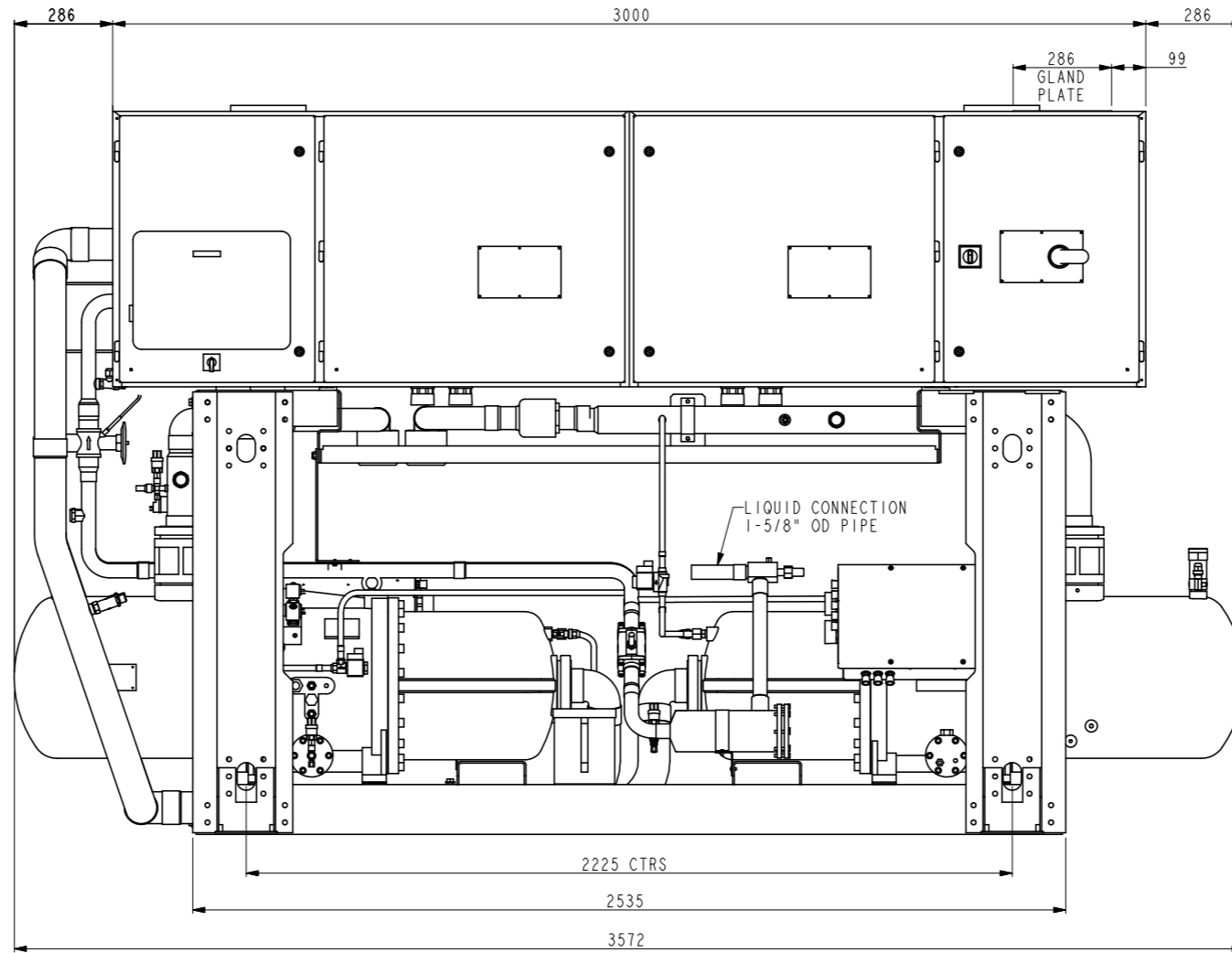
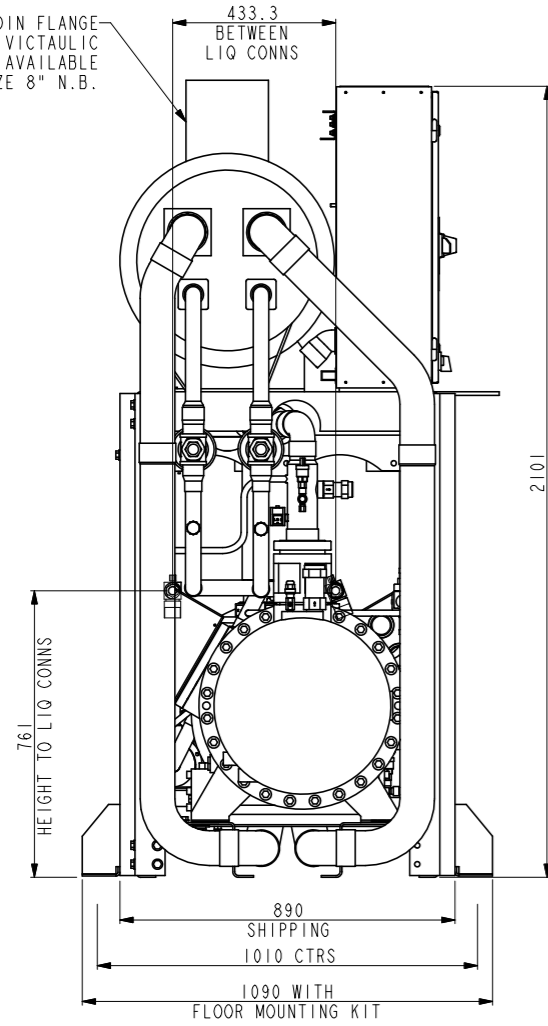


DIN FLANGE AND VICTAULIC CONNECTIONS AVAILABLE CONN. SIZE 8" N.B.



DETAIL SHOWING FLOOR AND ISOLATOR MOUNTING POSITIONS

NOTES  
SHIPPING WEIGHT = 3795 KG  
OPERATING WEIGHT = 4005 KG

REV	DATE	REVISION RECORD	EC. NO.	DR.	CHK.	ENG.
-	27-SEP-2004	NEW DRAWING	20040003	GMC	-	-

**YORK INTERNATIONAL CORPORATION**  
GARDINERS LANE SOUTH, BASILDON, ESSEX, SS14 3HE

THIRD ANGLE	YORK INTERNATIONAL	UNIT ASSY	MATERIAL
DO NOT SCALE	YLC8	860AA MODEL	ENG. STD.
TOLERANCES PER ED0022	REMOTE CONDENSER		PART NO.
WELDING PER WELD INDEX			
DRAWN: G.M.CARPENTER	27-SEP-2004	CAGE NUMBER	DRAWING NUMBER
MODELER:		A1	035L02729-000
CHKD:		XXXXX	REVISION
ENG:			4
SCALE: 0.100	WEIGHT: X KG	ORIG. NO. NONE	SHEET: 1 OF 1
			RELEASED