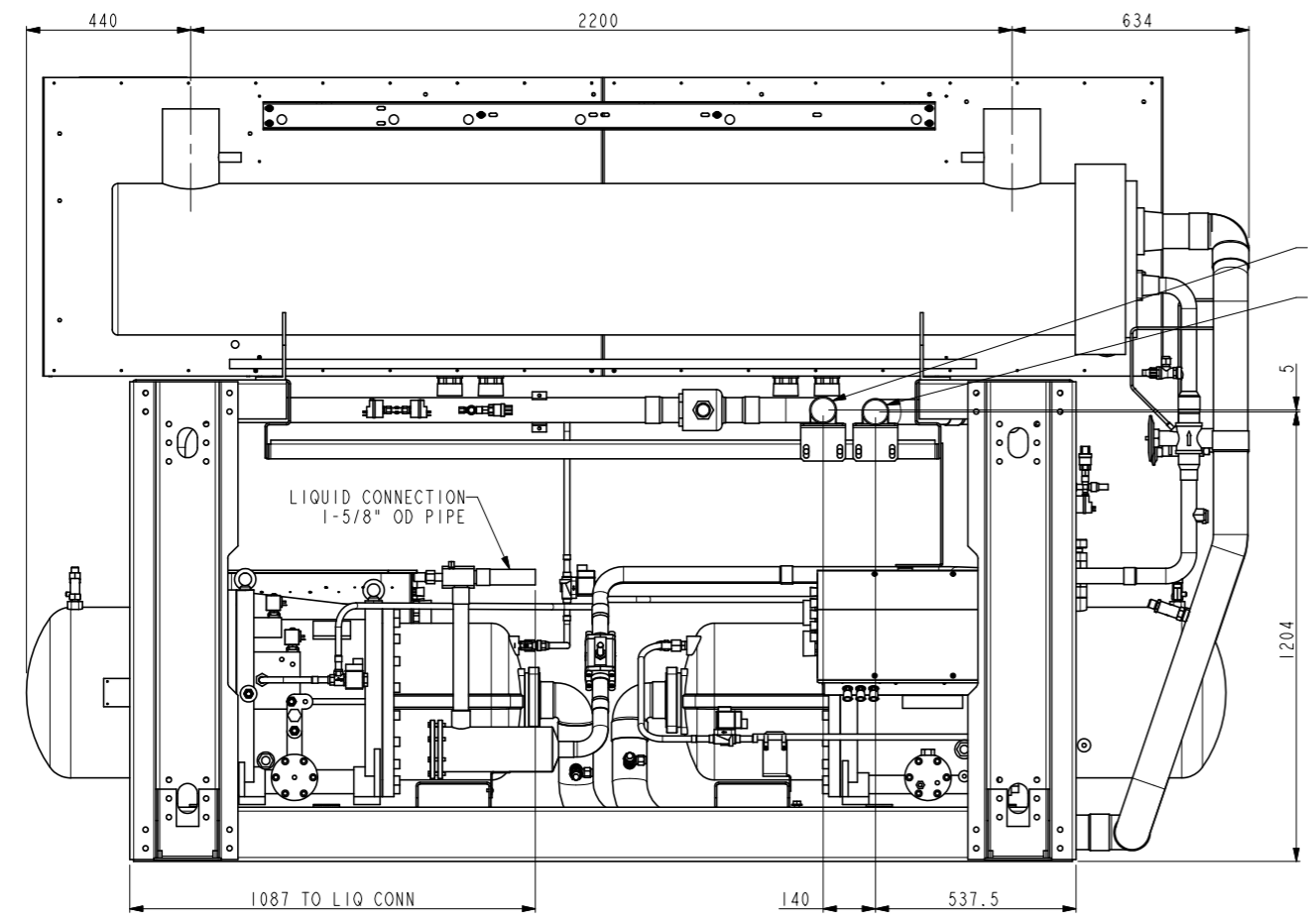
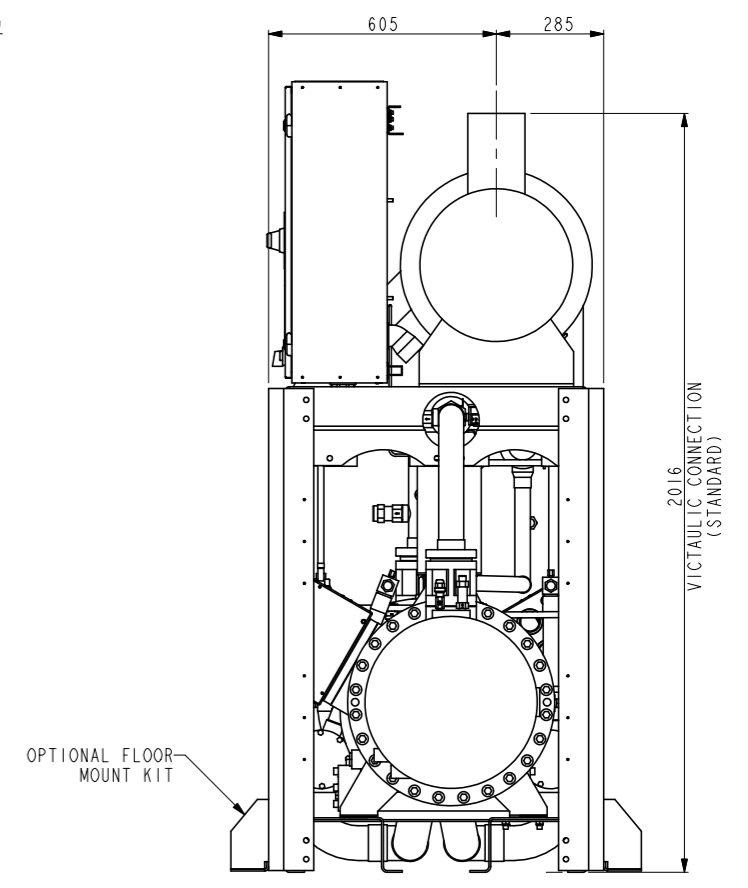
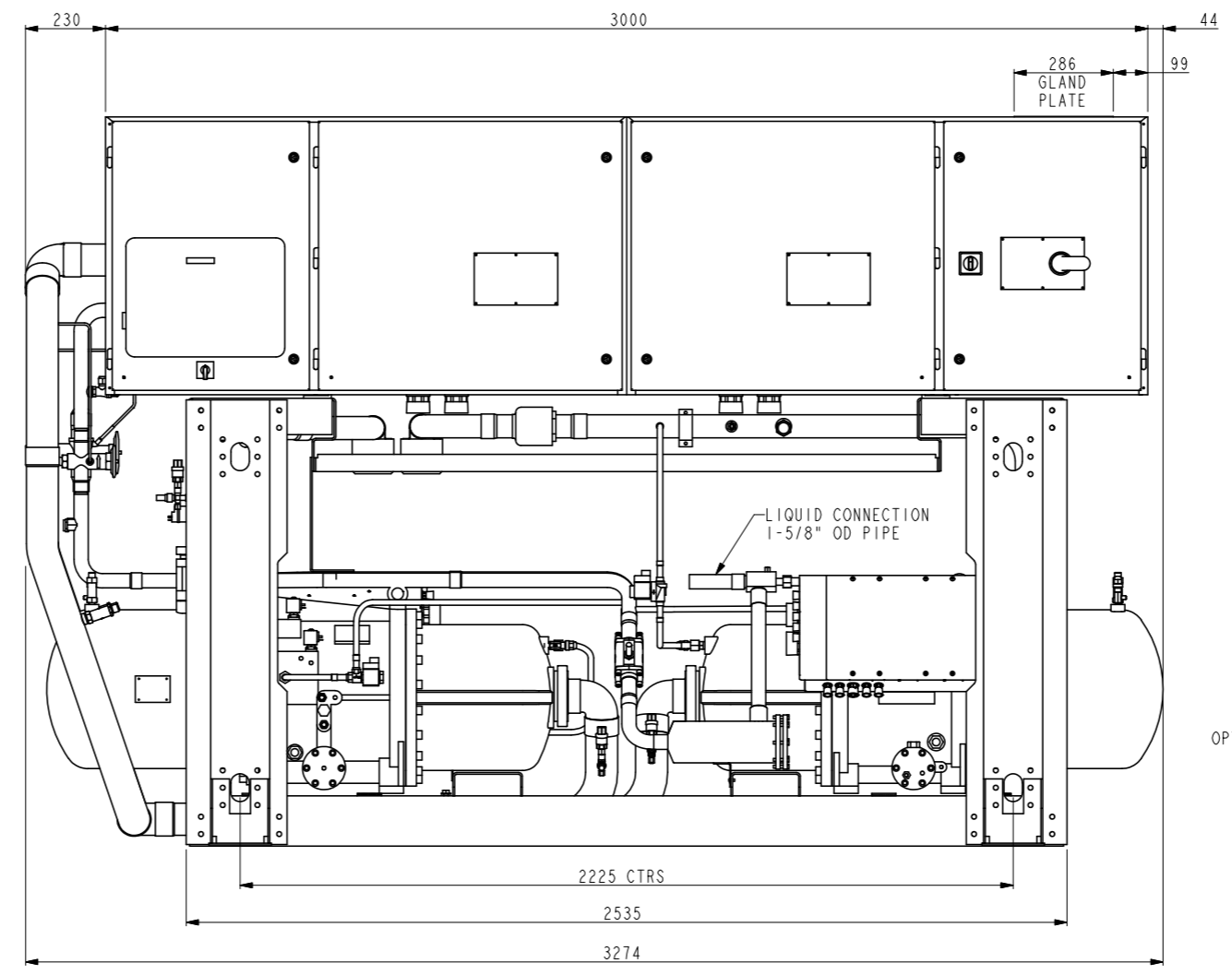
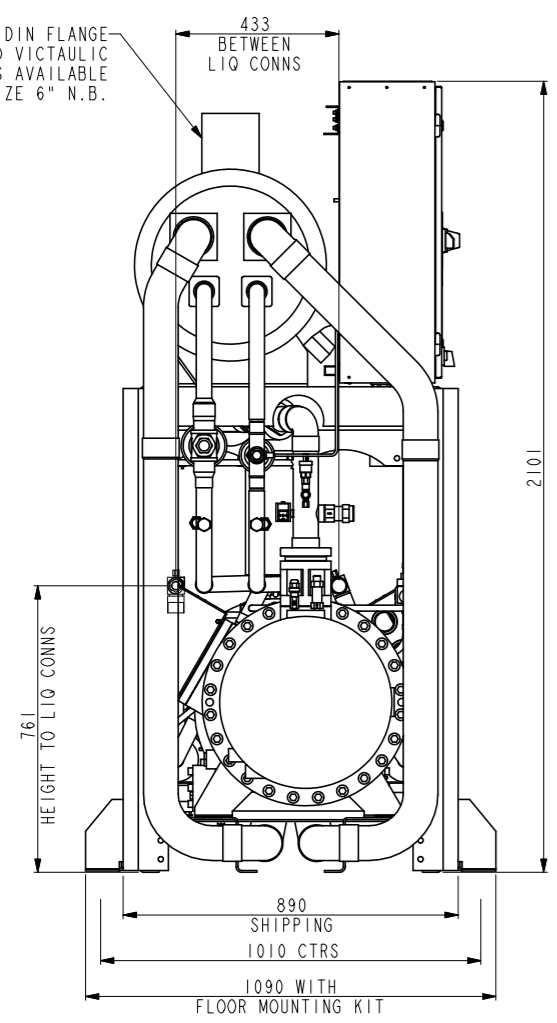
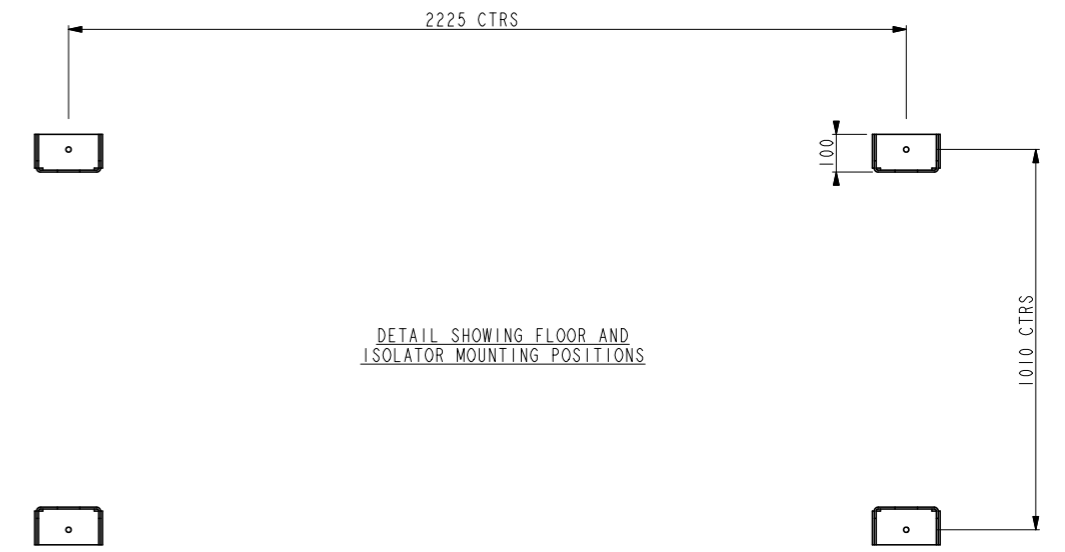


DIN FLANGE AND VICTAULIC CONNECTIONS AVAILABLE CONN. SIZE 6" N.B.



2-5/8" O.D. PIPE DISCHARGE CONN. SYS 1
2-5/8" O.D. PIPE DISCHARGE CONN. SYS 2



DETAIL SHOWING FLOOR AND ISOLATOR MOUNTING POSITIONS

NOTES
SHIPPING WEIGHT = 3470 KG
OPERATING WEIGHT = 3650 KG

REV	DATE	REVISION RECORD	EC. NO.	DR.	CHK.	ENG.
-	27-SEP-2004	NEW DRAWING	20040003	GMC	-	-

YORK INTERNATIONAL CORPORATION
GARDINERS LANE SOUTH, BASILDON, ESSEX, SS14 3HE

THIRD ANGLE INTERNATIONAL

UNIT ASSY
YLCS
530AA MODEL
REMOTE CONDENSER

DIMENSIONS ARE IN MM
DO NOT SCALE
TOLERANCES PER ED0022
WELDING PER WELD INDEX

SCALE: 0.100 WEIGHT: X KG

ORIG. NO. NONE SHEET: 1 OF 1 RELEASED

MODELER: J.M.CARPENTER 27-SEP-2004
CHKD: -
ENG: -

CAGE NUMBER: XXXXX

DRAWING NUMBER: 035L02726-000

REVISION: 4