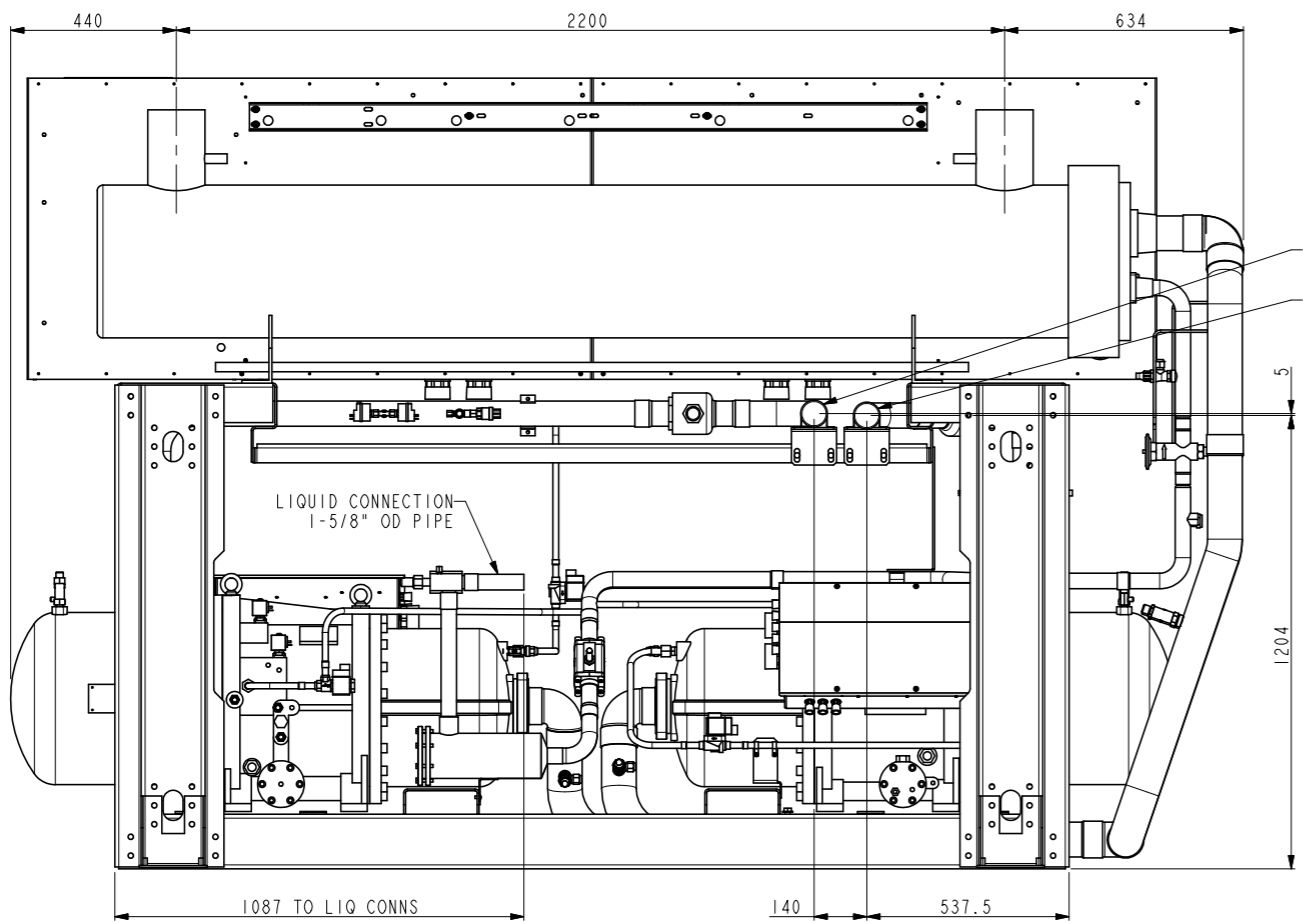
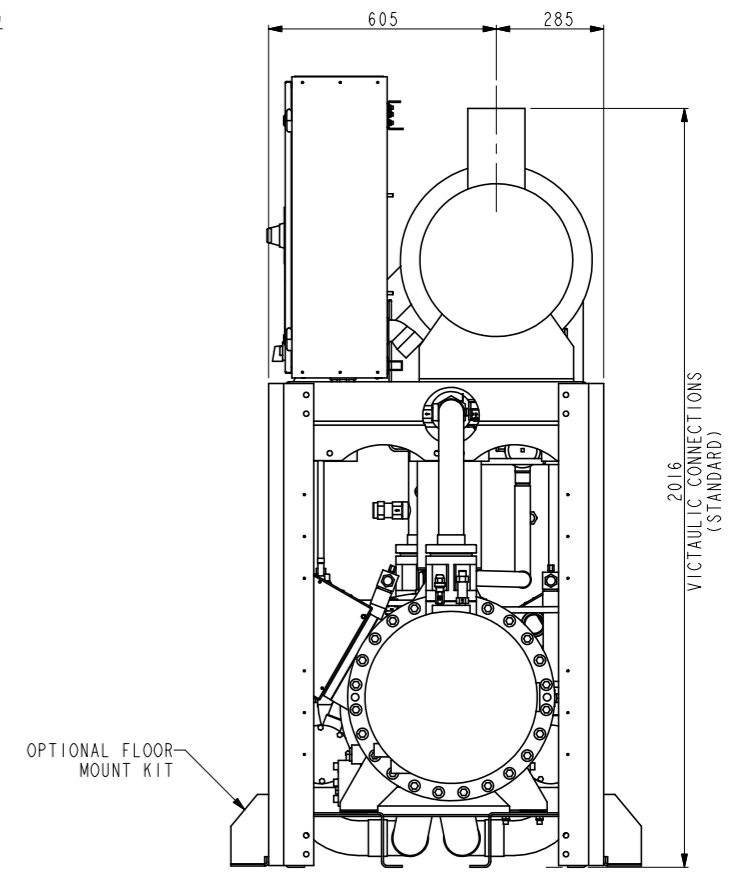
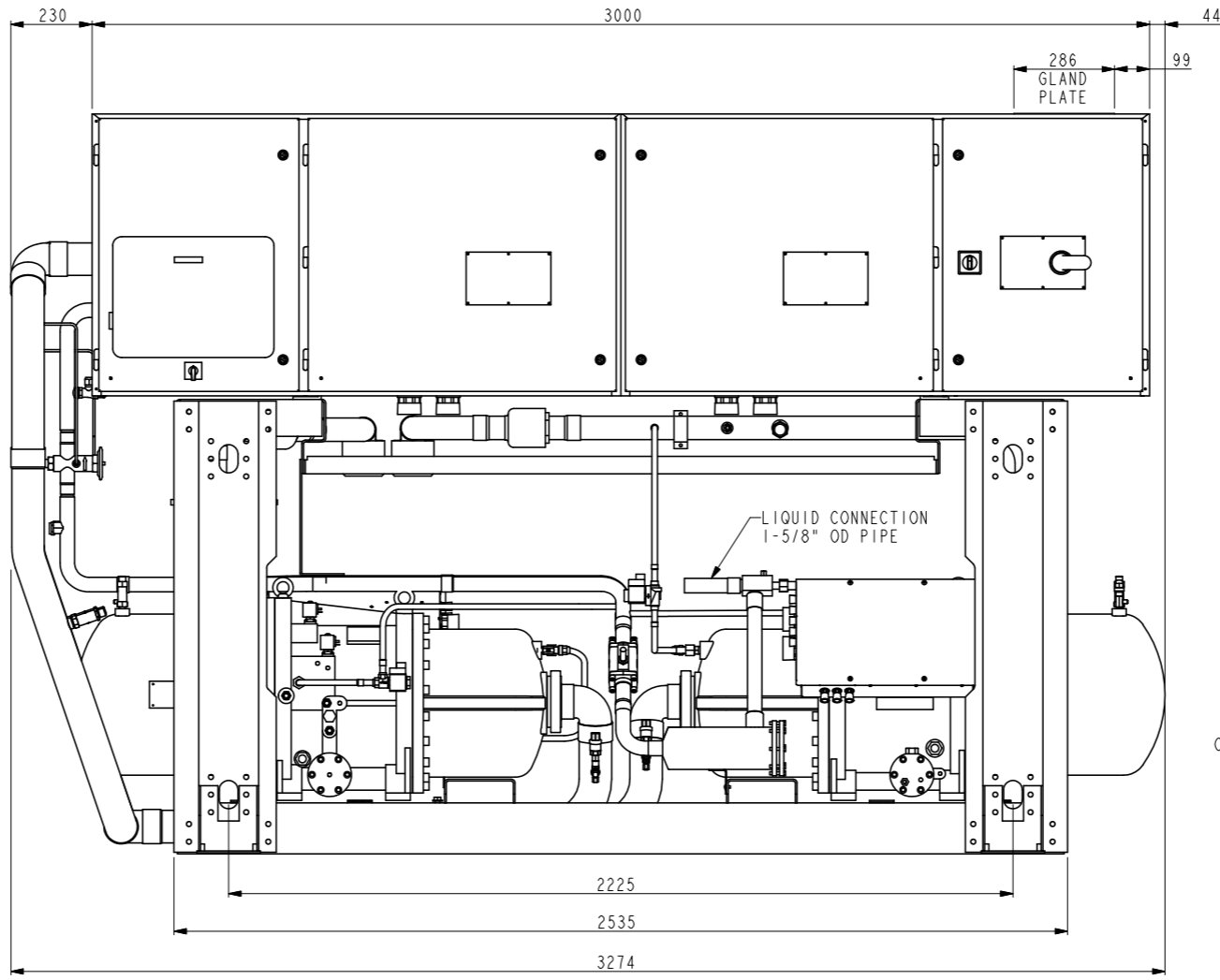
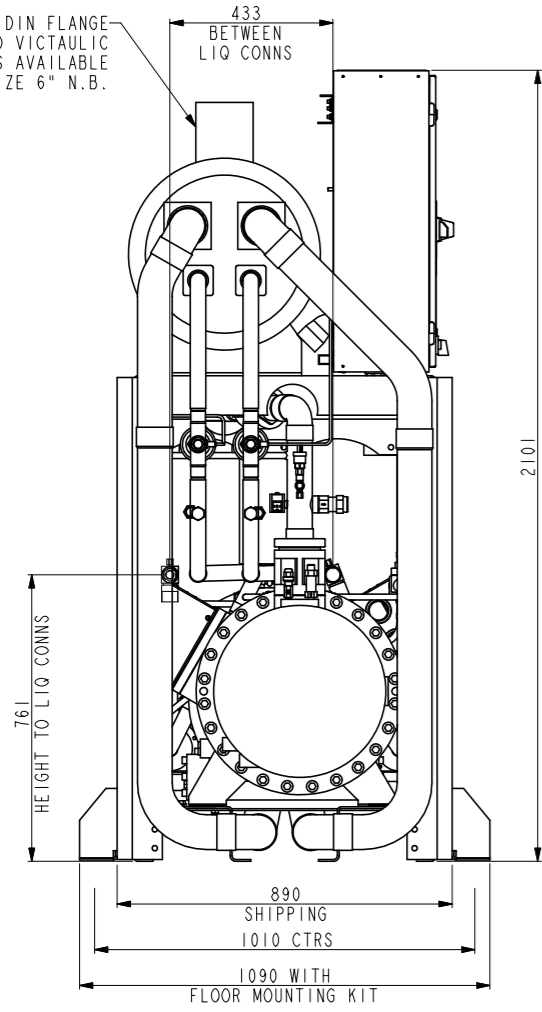
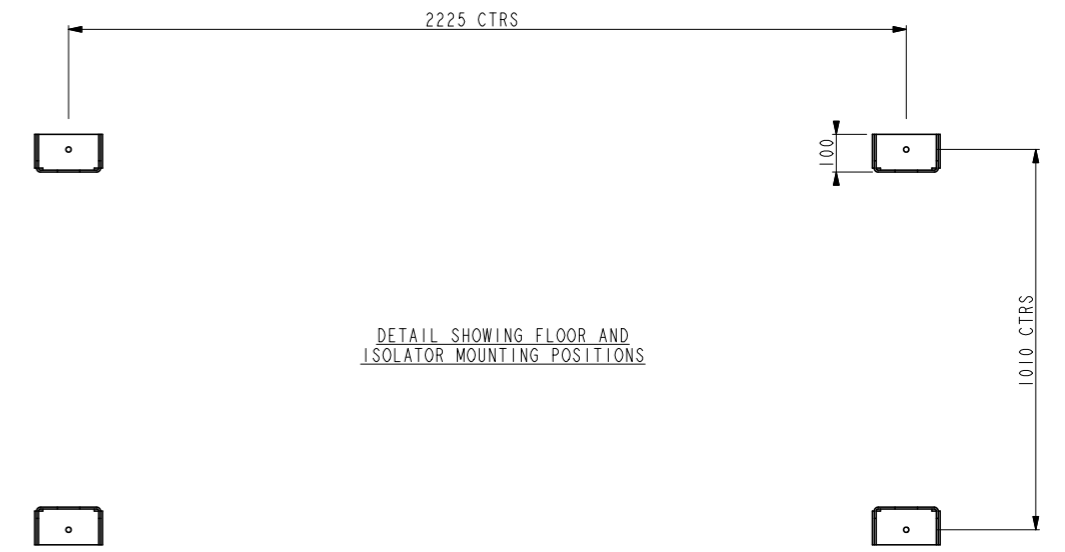


DIN FLANGE AND VICTAULIC CONNECTIONS AVAILABLE CONN. SIZE 6" N.B.



2-5/8" O.D. PIPE DISCHARGE CONN. SYS 1
2-5/8" O.D. PIPE DISCHARGE CONN. SYS 2



DETAIL SHOWING FLOOR AND ISOLATOR MOUNTING POSITIONS

NOTES
SHIPPING WEIGHT = 3395 KG
OPERATING WEIGHT = 3555 KG

REV	DATE	REVISION RECORD	EC. NO.	DR.	CHK.	ENG.
-	27-SEP-2004	NEW DRAWING	20040003	GMC	-	-

YORK INTERNATIONAL CORPORATION
GARDINERS LANE SOUTH, BASILDON, ESSEX, SS14 3HE

THIRD ANGLE	YORK INTERNATIONAL	UNIT ASSY	MATERIAL	NOT APPLICABLE
DO NOT SCALE	YLCs	480AA MODEL	ENG. STD.	NOT APPLICABLE
TOLERANCES PER ED0022	REMOTE CONDENSER	CAGE NUMBER	PART NO.	REVISION
WELDING PER WELD INDEX	SCALE : 0.100	WEIGHT : X KG	ORIG. NO. NONE	SHEET: 1 OF 1
DRAWN: G.M.CARPENTER 27-SEP-2004	MODELER: -	CHKD: -	ENG: -	RELEASED
DISCLOSE ANY OF THE INFORMATION UPON IT TO OTHERS WITHOUT WRITTEN RELEASE BY YORK INTERNATIONAL CORPORATION	A1	XXXXX	035L02725-000	VERSION 4