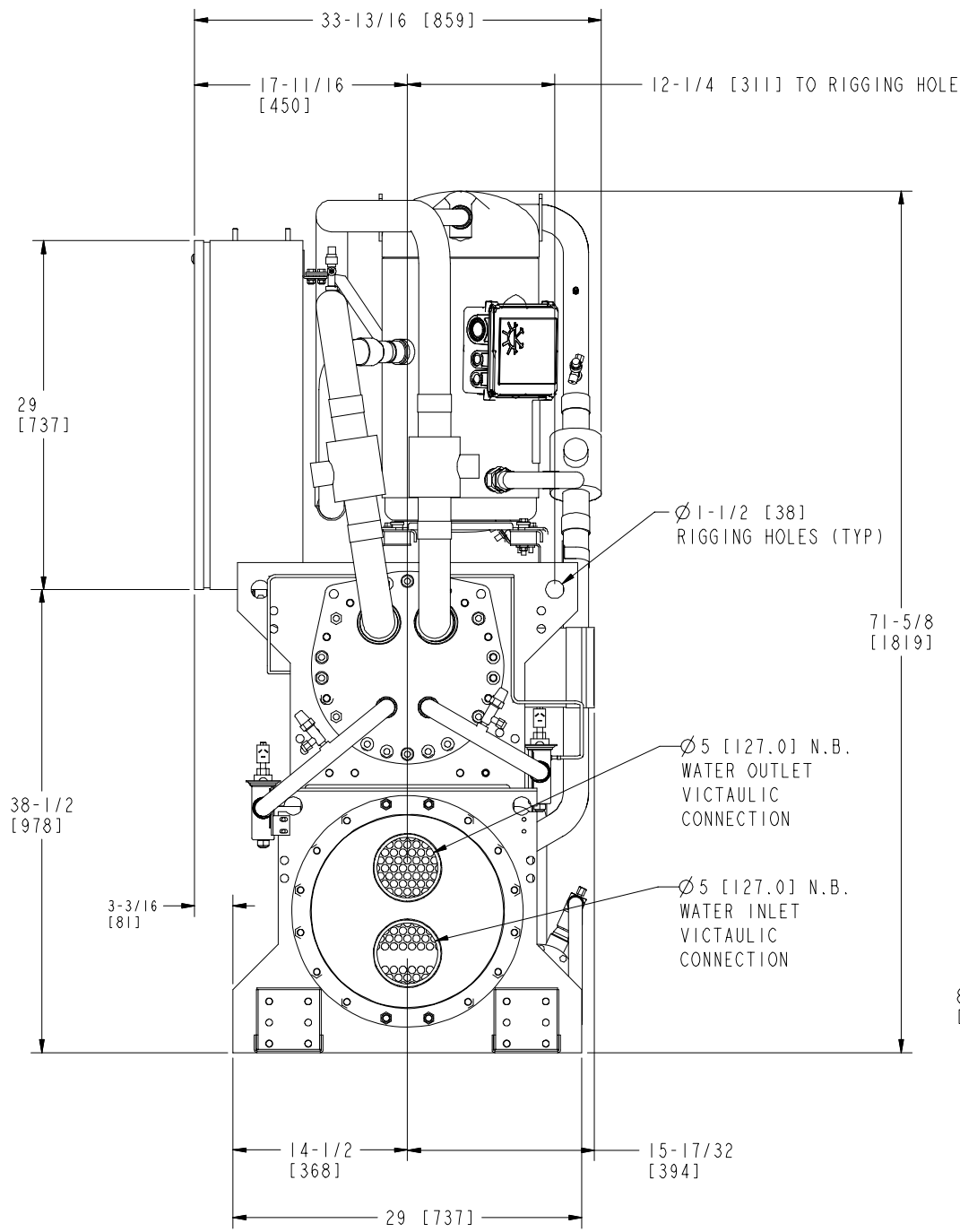
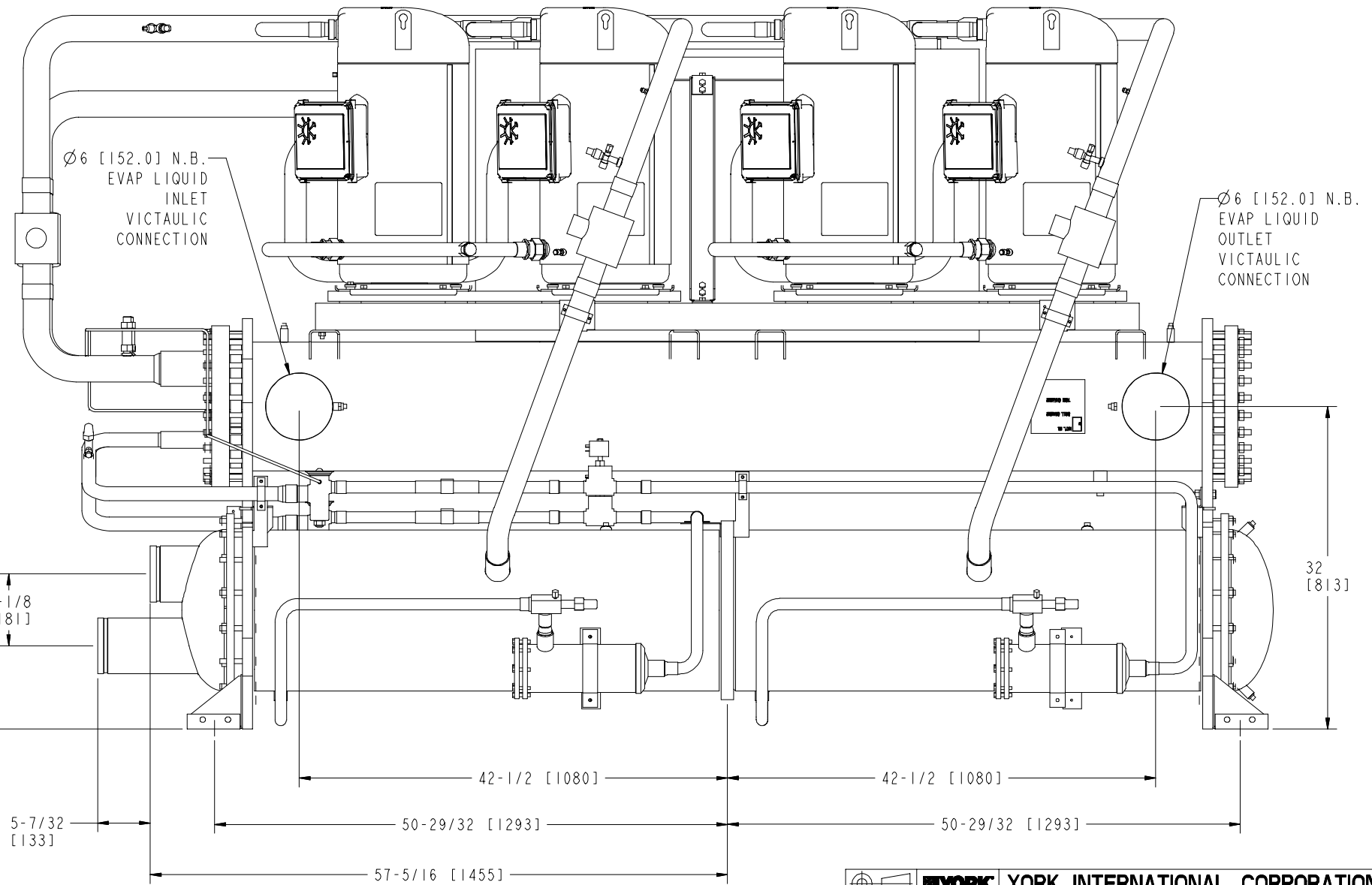
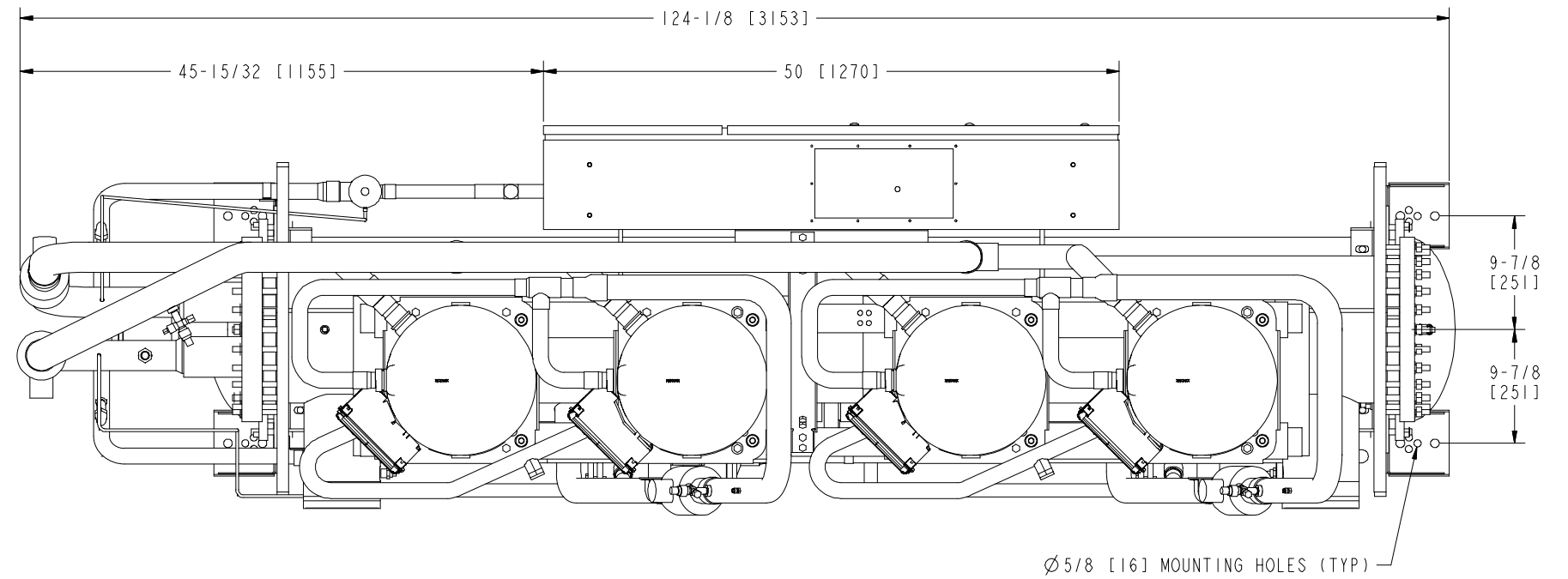


YCWL 0395 SE

NOTE
PRIMARY DIMENSIONS ARE IN STANDARD IMPERIAL INCHES AND
SECONDARY DIMENSIONS IN BRACKETS ARE STANDARD METRIC
MILLIMETRES.



REV	DATE	REVISION RECORD	EC. NO.	DR.	CHK.	ENG.
-	10-JAN-2008	NEW DRAWING.	0108-6412	AS	AS	AS

THIRD ANGLE
INTERNATIONAL

YORK YORK INTERNATIONAL CORPORATION
GARDINERS LANE SOUTH, BASILDON, ESSEX. SS14 3HE

PRODUCT DRAWING
0395SE
YCWL

MATERIAL
ENG. STD.
PART NO.

DRAWN: A.SAYCH 10-JAN-2008
MODELER: KAM 09-AUG-2008
CHKD: A.SAYCH 10-JAN-2008
ENG

SCALE: .140 WEIGHT: ORIG. NO. SHEET: 1 OF 1 RELEASED

REVISION
VERSION
3

DRAWING NUMBER
035-22118-000