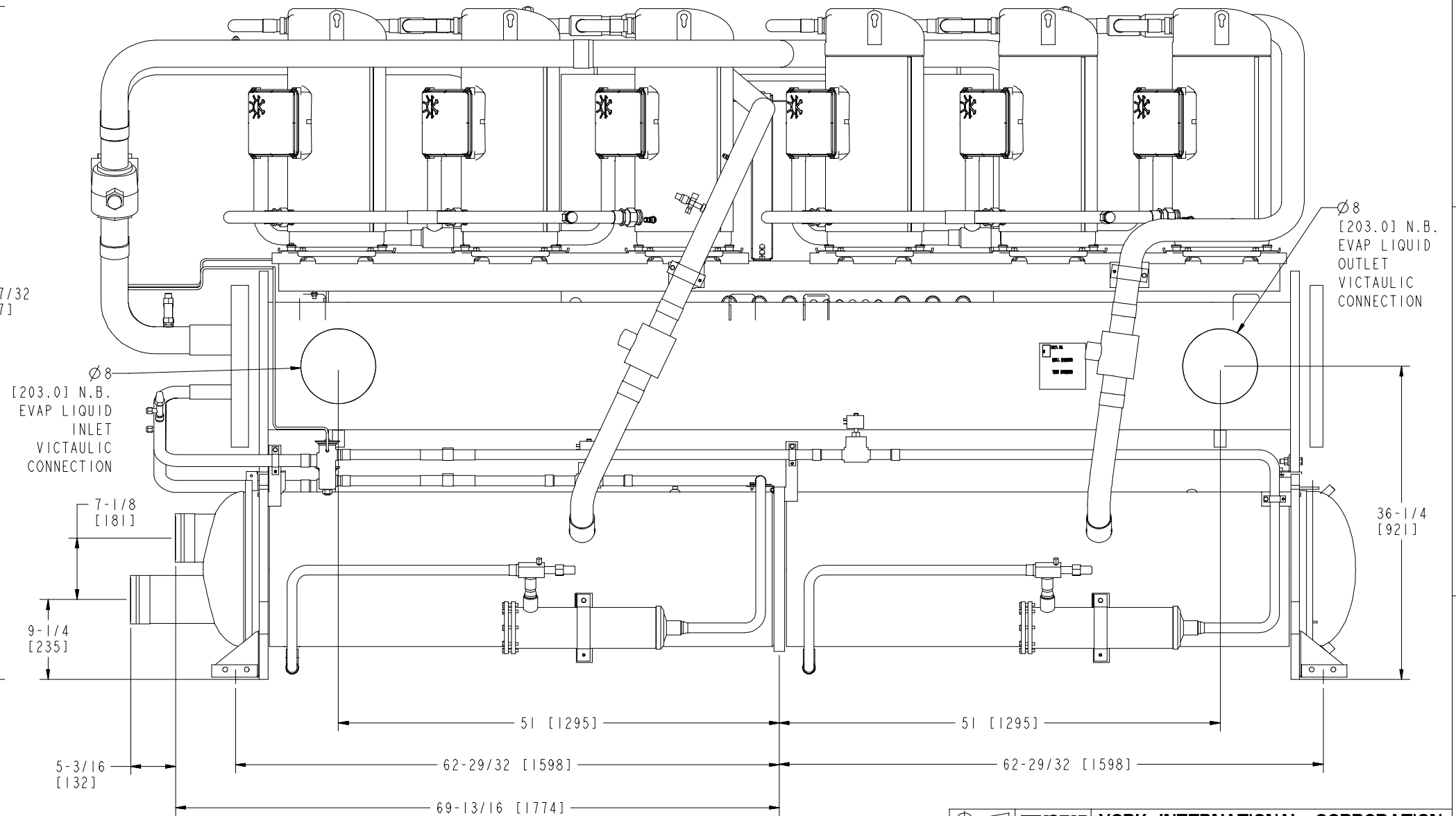
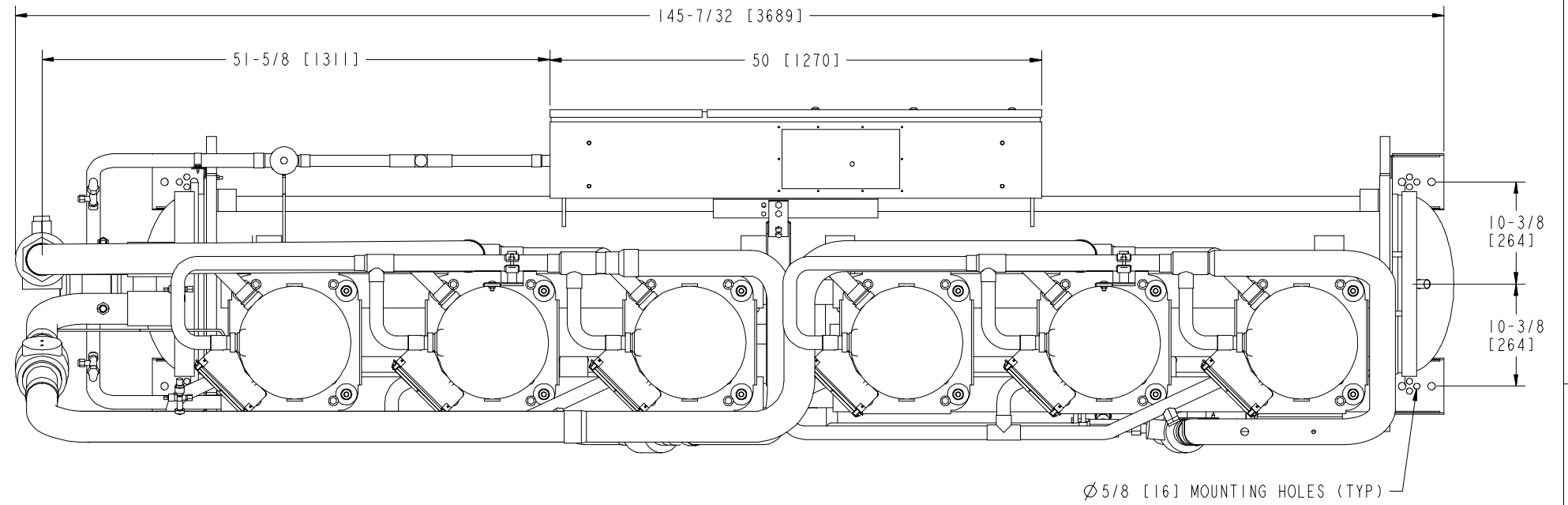
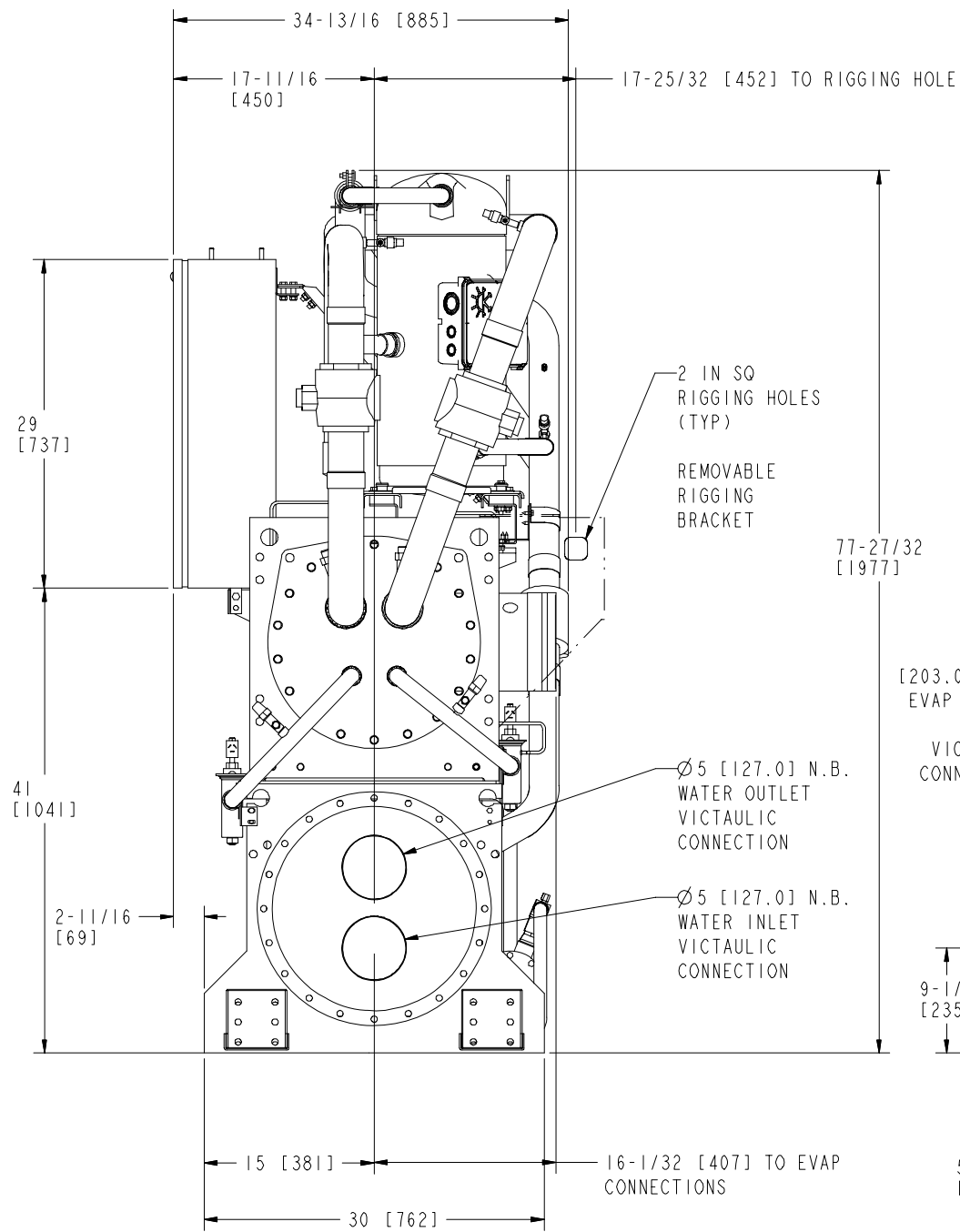


YCWL 0385 HE

NOTE
PRIMARY DIMENSIONS ARE IN STANDARD IMPERIAL INCHES AND
SECONDARY DIMENSIONS IN BRACKETS ARE STANDARD METRIC
MILLIMETRES.



REV	DATE	REVISION RECORD	EC. NO.	DR.	CHK.	ENG.
-	09-JAN-2008	NEW DRAWING.	0108-6412	AS	AS	AS

YORK INTERNATIONAL CORPORATION
GARDINERS LANE SOUTH, BASILDON, ESSEX. SS14 3HE

THIRD ANGLE
DO NOT SCALE
DIMENSIONS ARE IN MM
TOLERANCES PER ED0022
WELDING PER WELD INDEX

PRODUCT DRAWING
0385HE
YCWL

DRAWN: A.SAYCH 09-JAN-2008
MODELER: KAM 02-OCT-2008
CHKD: A.SAYCH 09-JAN-2008
ENG

CAGE NUMBER
XXXXX

DRAWING NUMBER
035-22117-000

REVISION
3

SCALE: .330 WEIGHT: ORIG. NO. SHEET: 1 OF 1 RELEASED