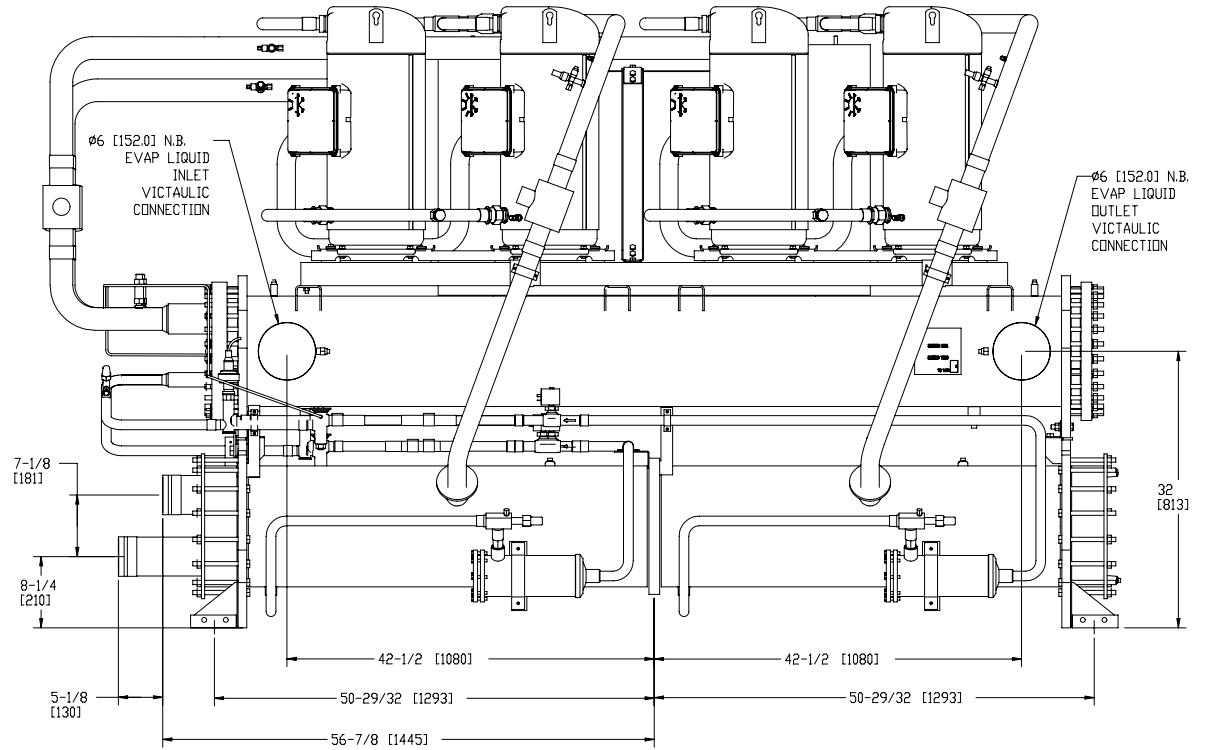
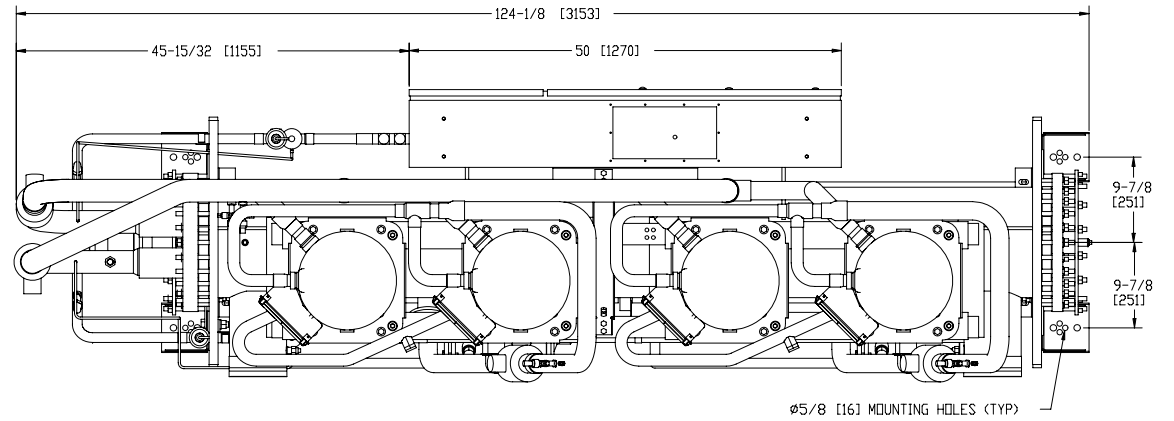
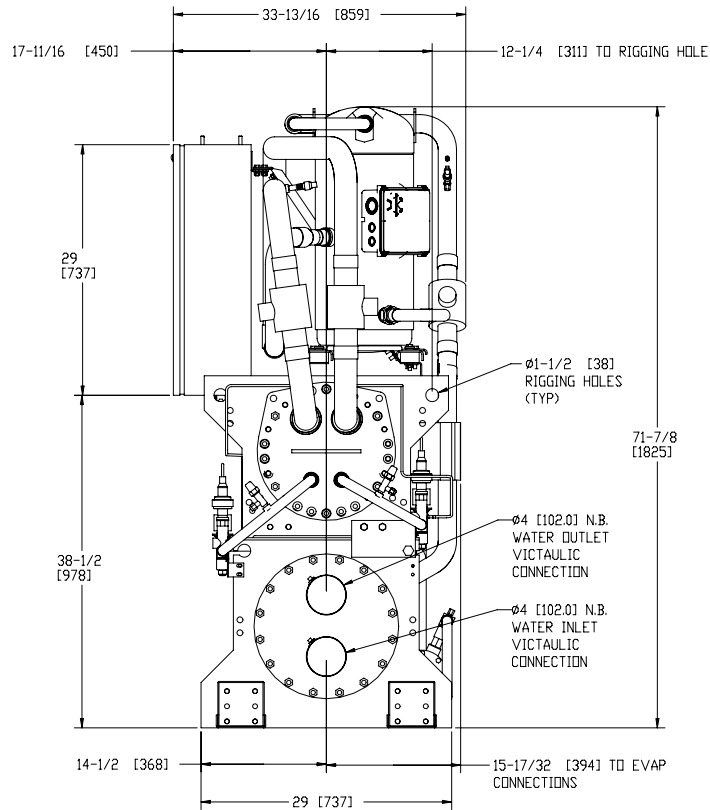


YCWL 0260 HE, 0300 HE, 0301 HE, 0345 SE & 0346 SE

NOTE
PRIMARY DIMENSIONS ARE IN STANDARD IMPERIAL INCHES AND
SECONDARY DIMENSIONS IN BRACKETS ARE STANDARD METRIC
MILLIMETRES.



REV	DATE	REVISION RECORD	EC. NO.	DR.	CHK.	ENG.	ALL PROPRIETARY RIGHTS IN THE SUBJECT MATTER HEREOF ARE RESERVED AND NO PERMISSION IS GRANTED TO REPRODUCE THIS PRINT IN WHOLE OR IN ANY PART, OR DISCLOSE ANY OF THE INFORMATION HEREIN, WITHOUT WRITTEN RELEASE BY YORK INTERNATIONAL CORPORATION.
A	18-JUL-2008	MODEL NUMBERS ADDED TO NOTE & TITLE.	D009-10282	EJ	TF		

YORK INTERNATIONAL CORPORATION
GARDINERS LANE SOUTH, BASILDON, ESSEX, SS14 3HE

THIRD ANGLE
DIMENSIONS ARE IN MM
DO NOT SCALE
TOLERANCES PER ISO2002
MATERIAL
ENG. STA.
PART NO.

PRODUCT DRAWING
0260HE,0300HE,0301HE,
0345SE, &
0346SE
DRAWING PER-YIELD
DATE: 08-JAN-2008
MIDDELER KAM
DATE: 09-AUG-2006
CHKD ASATCH
DATE: 08-JAN-2008
ENG

CAGE NUMBER
XXXXXX

DRAWING NUMBER
035-22114-000

REVISION
VERSION

SCALE = 1:40 WEIGHT = DRWG. NO. SHEET, 1 OF 1 RELEASED