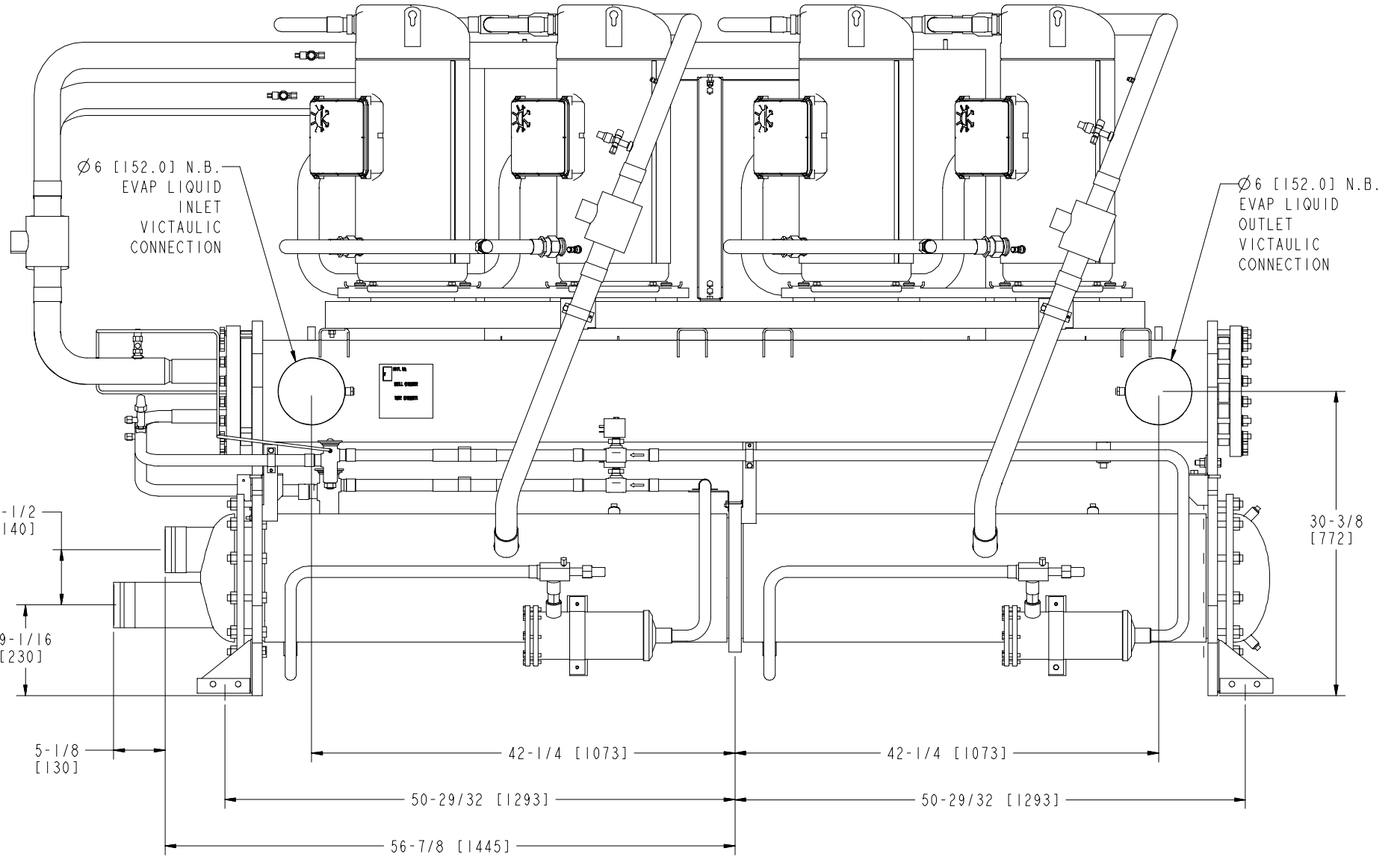
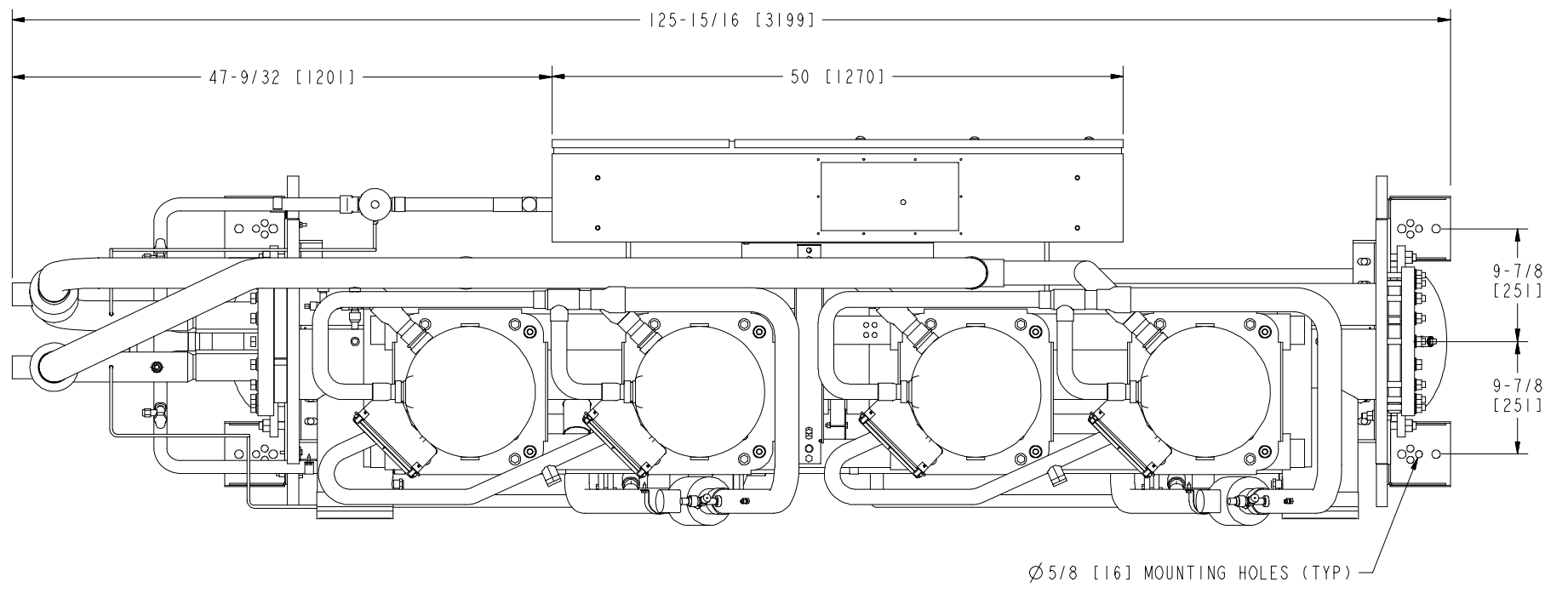
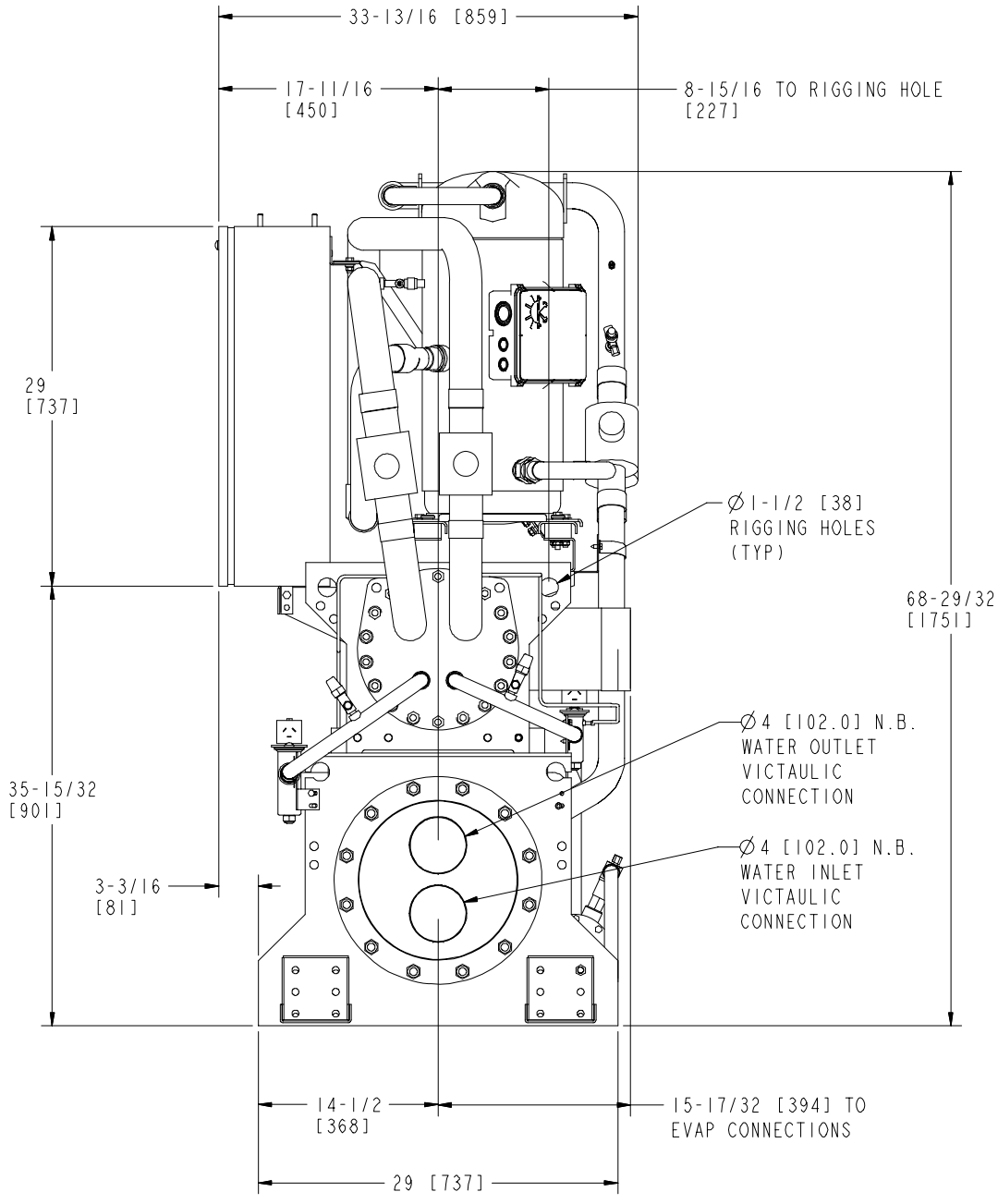


YCWL 0240 SE

NOTE
PRIMARY DIMENSIONS ARE IN STANDARD IMPERIAL INCHES AND
SECONDARY DIMENSIONS IN BRACKETS ARE STANDARD METRIC
MILLIMETRES.



REV	DATE	REVISION RECORD	EC. NO.	DR.	CHK.	ENG.
-	08-JAN-2008	NEW DRAWING.	0108-6412	AS	AS	AS

YORK INTERNATIONAL CORPORATION
GARDINERS LANE SOUTH, BASILDON, ESSEX. SS14 3HE

THIRD ANGLE INTERNATIONAL

PRODUCT DRAWING: 0240SE
MATERIAL: ENG. STD. YCWL
PART NO.DRAWING NUMBER: 035-22113-000
REVISION: 1SCALE: .140
WEIGHT:
ORIG. NO.
SHEET: 1 OF 1
RELEASED