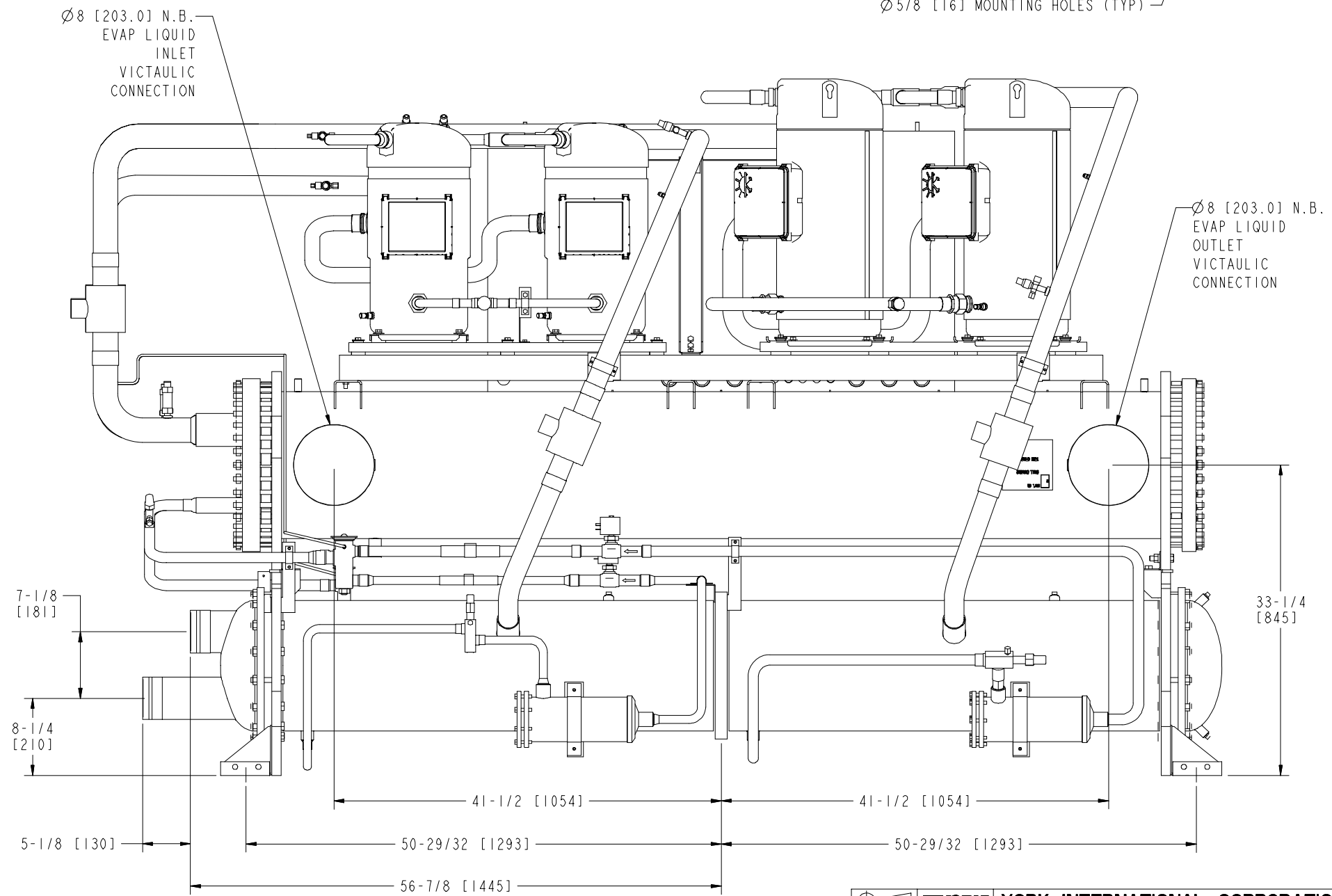
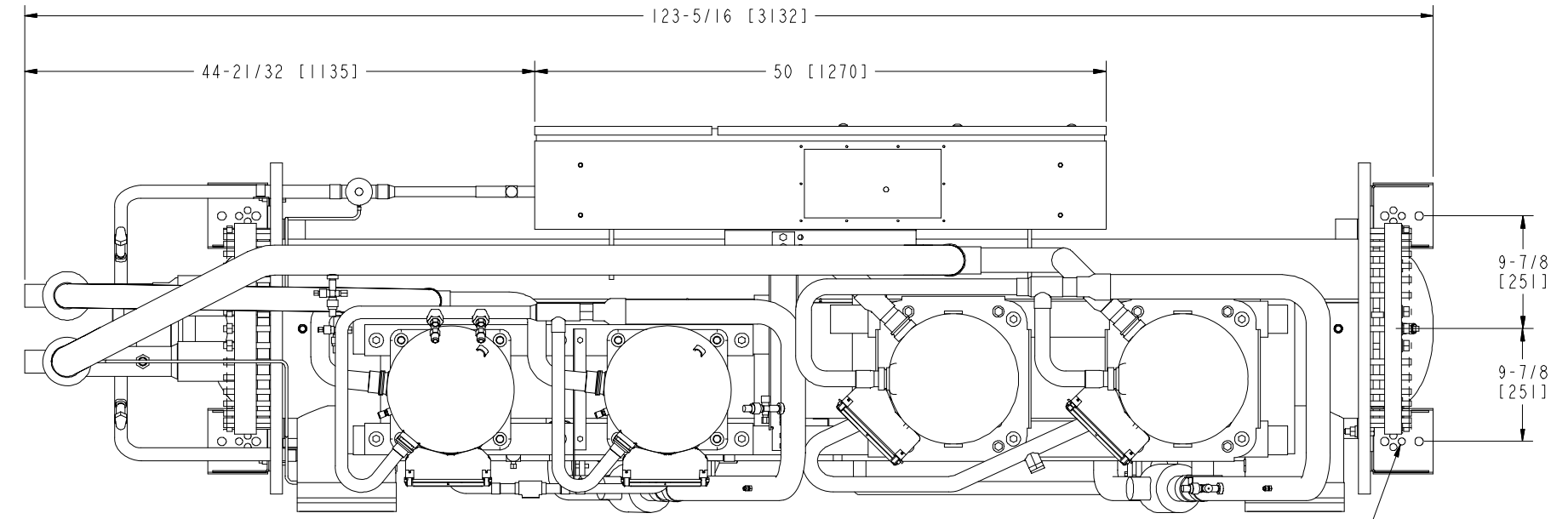
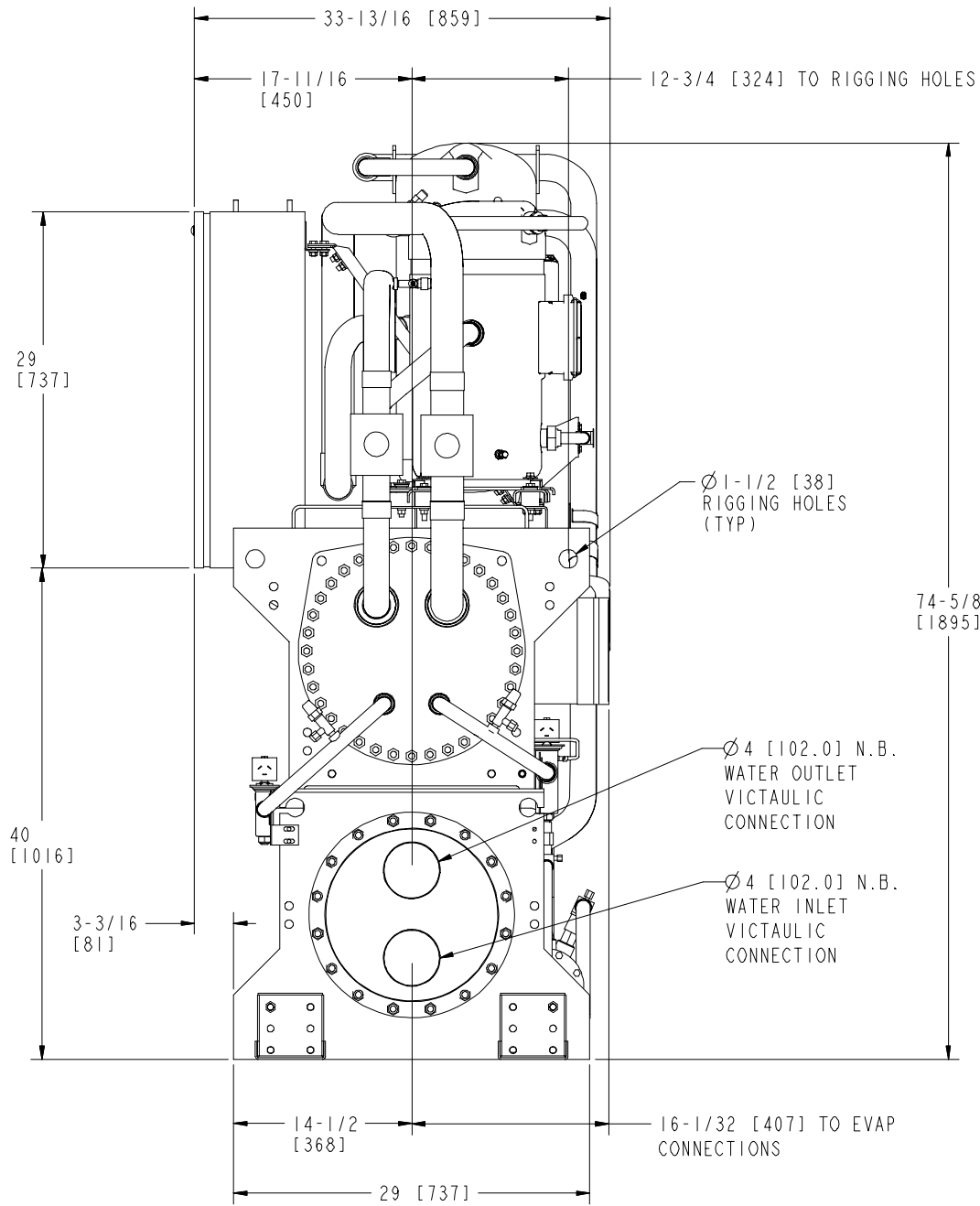


YCWL 0230 HE

NOTE
PRIMARY DIMENSIONS ARE IN STANDARD IMPERIAL INCHES AND
SECONDARY DIMENSIONS IN BRACKETS ARE STANDARD METRIC
MILLIMETRES.



REV	DATE	REVISION RECORD	EC. NO.	DR.	CHK.	ENG.
-	08-JAN-2008	NEW DRAWING.	0108-6412	AS	AS	AS

YORK INTERNATIONAL CORPORATION GARDINERS LANE SOUTH, BASILDON, ESSEX. SS14 3HE		PRODUCT DRAWING 0230HE YCWL	MATERIAL ENG. STD. PART NO.
DRAWN A.SAYCH 08-JAN-2008 MODELER SAR 27-MAR-2007 CHKD A.SAYCH 08-JAN-2008 ENG	SCALE : .540 WEIGHT :	CAGE NUMBER XXXXX A1 DRAWING NUMBER 035-22112-000	REVISION VERSION 11 SHEET: 1 OF 1 RELEASED