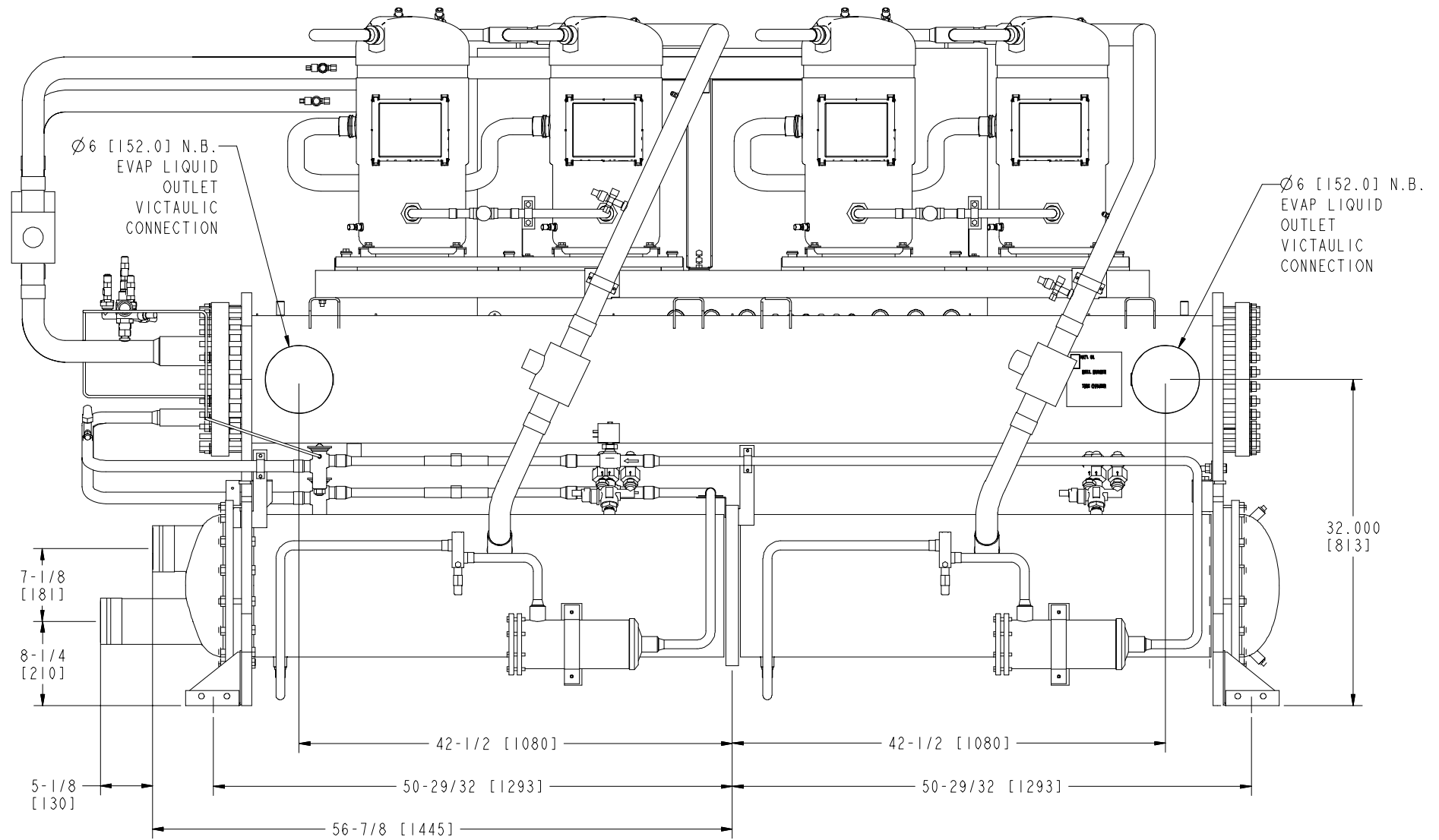
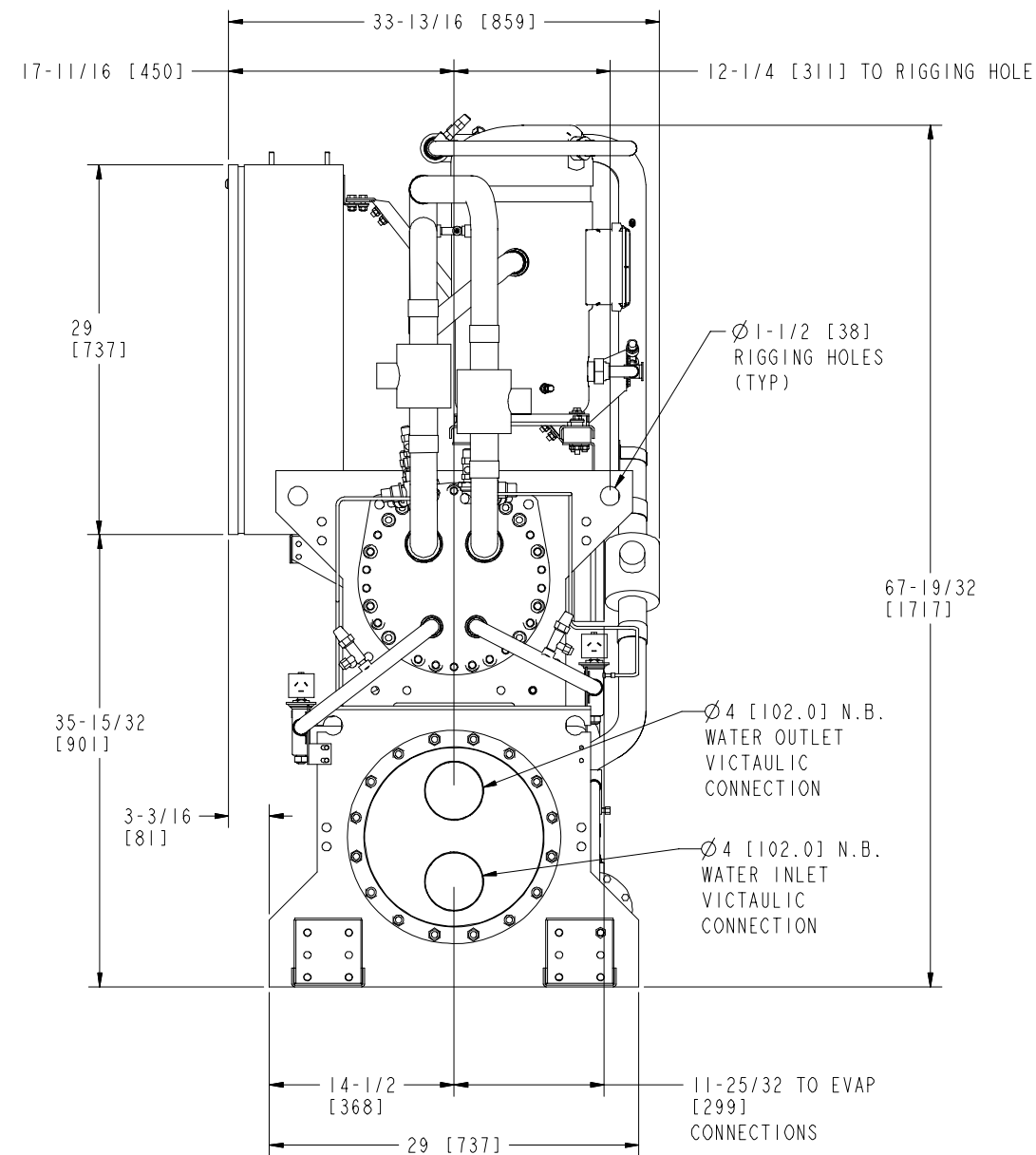
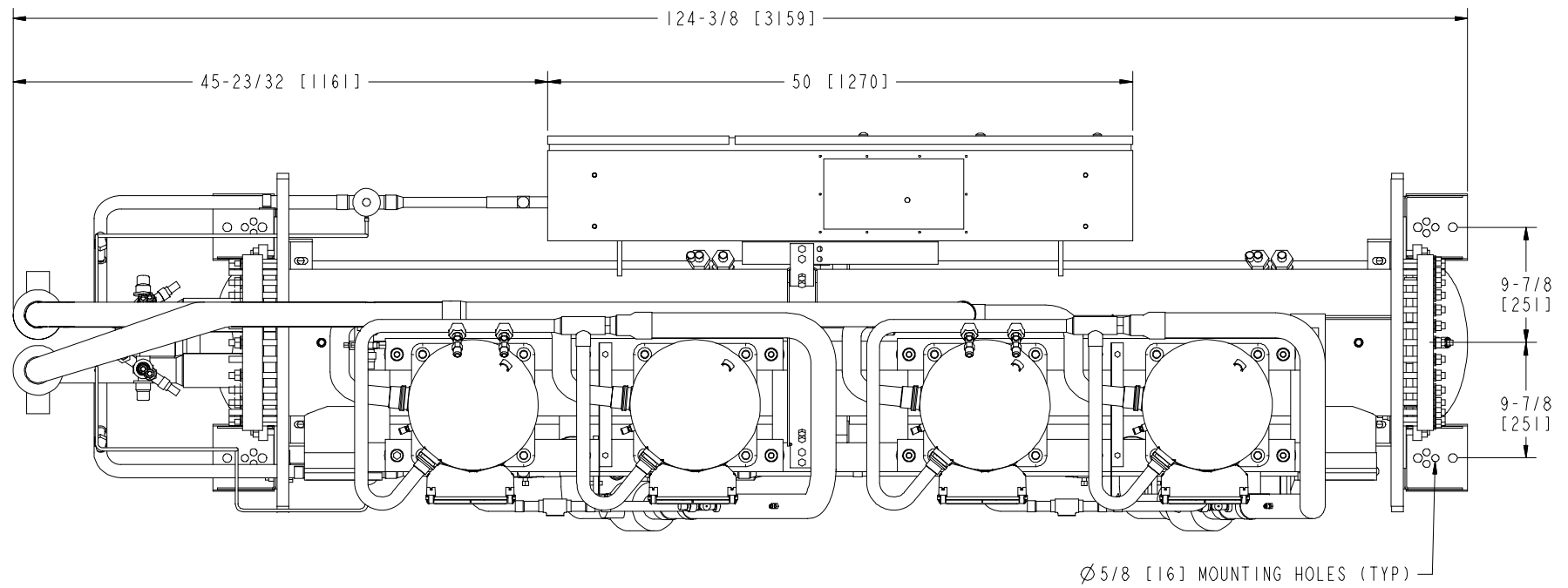


YCWL 0200 HE

NOTE
PRIMARY DIMENSIONS ARE IN STANDARD IMPERIAL INCHES AND
SECONDARY DIMENSIONS IN BRACKETS ARE STANDARD METRIC
MILLIMETRES.



REV	DATE	REVISION RECORD	EC. NO.	DR.	CHK.	ENG.
-	07-JAN-2008	NEW DRAWING.	0108-6412	AS	AS	AS

YORK INTERNATIONAL CORPORATION
GARDINERS LANE SOUTH, BASILDON, ESSEX. SS14 3HE

THIRD ANGLE INTERNATIONAL

PRODUCT DRAWING
0200HE
YCWL

MATERIAL
ENG. STD.
PART NO.

DRAWN: A.SAYCH 07-JAN-2008
MODELER: KAM 09-AUG-2008
CHKD: A.SAYCH 07-JAN-2008
ENG

SCALE: .140 WEIGHT: ORIG. NO. SHEET: 1 OF 1 RELEASED

REVISION
VERSION 5

DRAWING NUMBER
035-22111-000

ALL PROPRIETARY RIGHTS IN THE SUBJECT MATTER HEREOF ARE RESERVED AND NO PERMISSION IS GRANTED TO REPRODUCE THIS PRINT IN WHOLE OR IN ANY PART, OR DISCLOSE ANY OF THE INFORMATION UPON IT TO OTHERS WITHOUT WRITTEN RELEASE BY YORK INTERNATIONAL CORPORATION