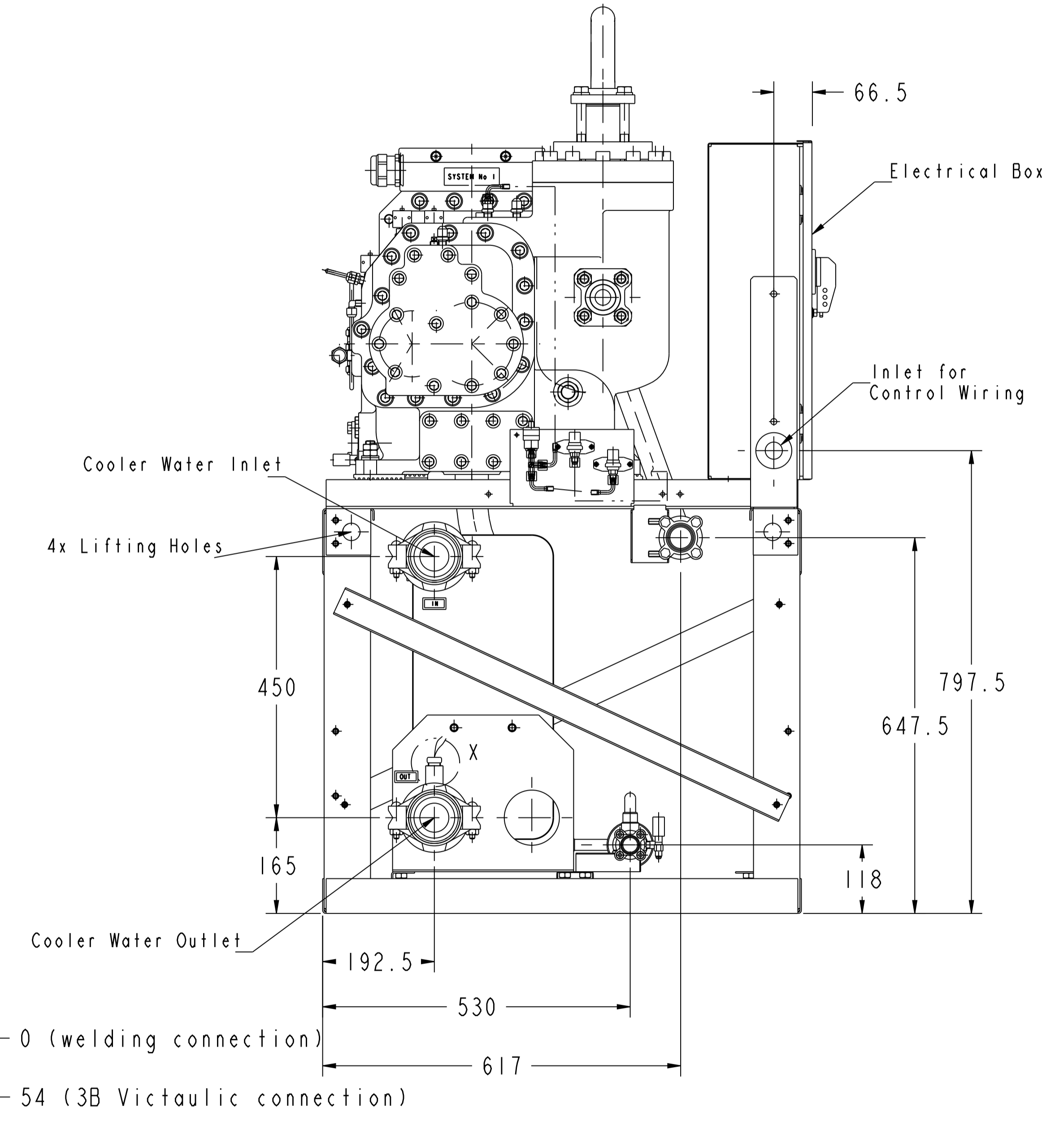
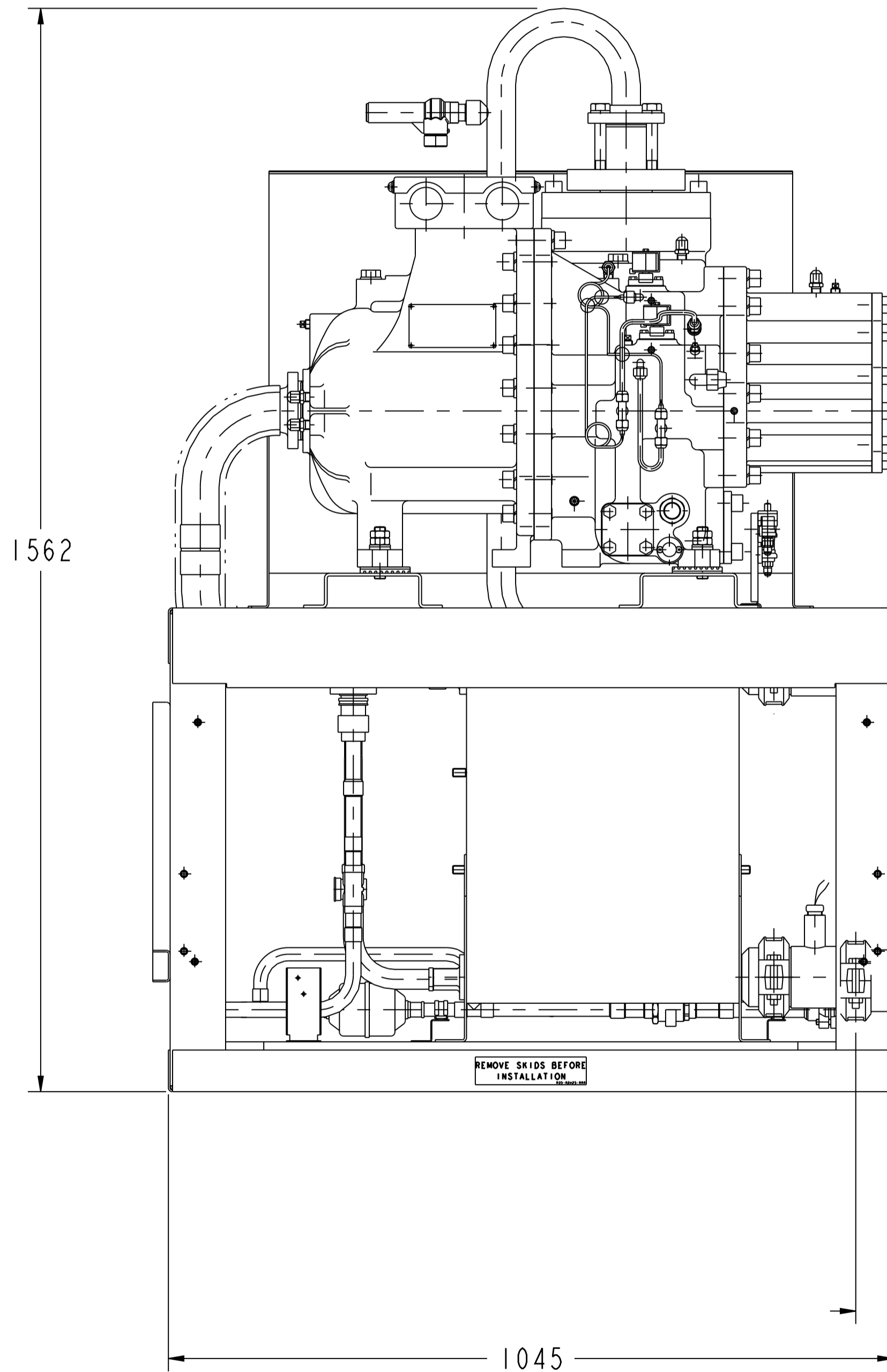
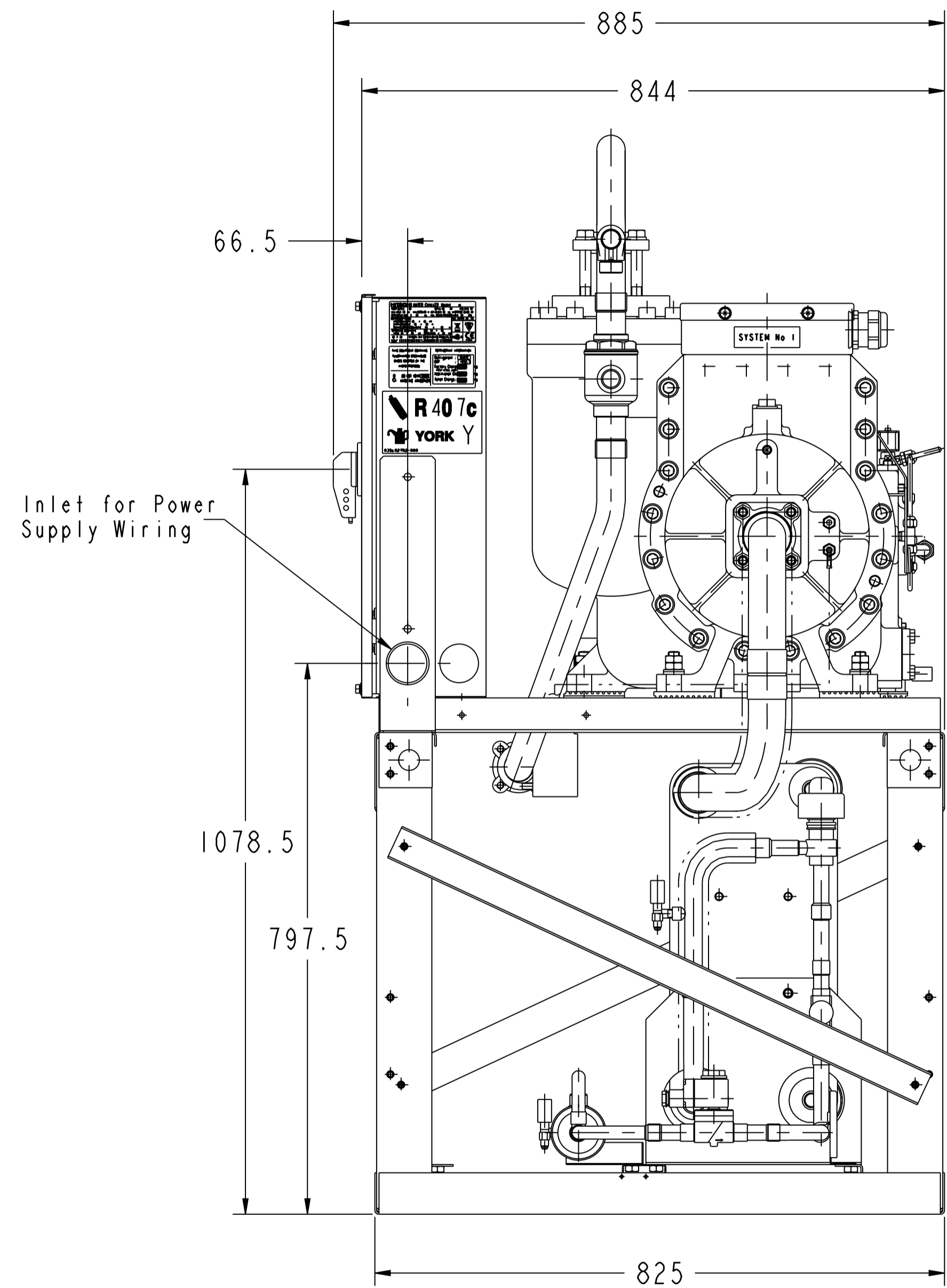


DIMENSIONAL DRAWING OF CONDENSER LESS WATER CHILLER
(YCRE-B050SB50)



REV.	DATE	EC. NO.	DR.	CHK.	ENG.
-	09-APR-2010	-	HAPE	RS	MB
NEW RELEASE					
CONTINUED					

DO NOT SCALE UNLESS OTHERWISE SPECIFIED. DIMENSIONS ARE IN MILLIMETERS

ALL PROPRIETARY RIGHTS IN THE SUBJECT MATTER HEREOF ARE RESERVED AND NO PERMISSION IS GRANTED TO REPRODUCE THIS PRINT IN WHOLE OR IN ANY PART, OR DISCLOSE ANY OF THE INFORMATION UPON IT TO OTHERS WITHOUT WRITTEN RELEASE BY JOHNSON CONTROLS INCORPORATED

		JOHNSON CONTROLS - BUILDING EFFICIENCY 507 EAST MICHIGAN STREET, MILWAUKEE, WI, 53202 USA	
THIRD ANGLE DO NOT SCALE UNLESS OTHERWISE SPECIFIED. DIMENSIONS ARE IN MILLIMETERS	PRODUCT DRAWING YCRE 50	MATERIAL - ENG. STD. - PART NO. - CUT SIZE -	REVISION VERSION 0
DRAWN HAPE MODELER - CHKD R SWEED 09-APR-2010 ENG M BEAUMONT 09-APR-2010 SCALE: DRAWING SCALE MASS (kg): -	CAGE NUMBER A1 66935	DRAWING NUMBER 035-23015-000	SHEET 1 OF 1 RELEASED