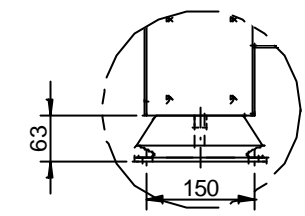
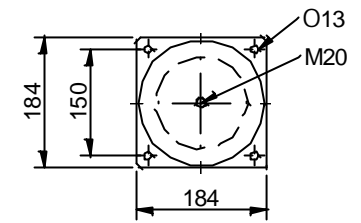
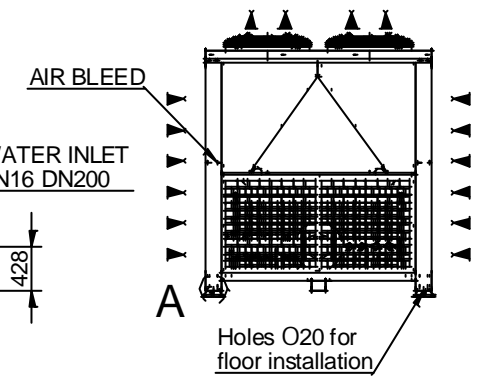
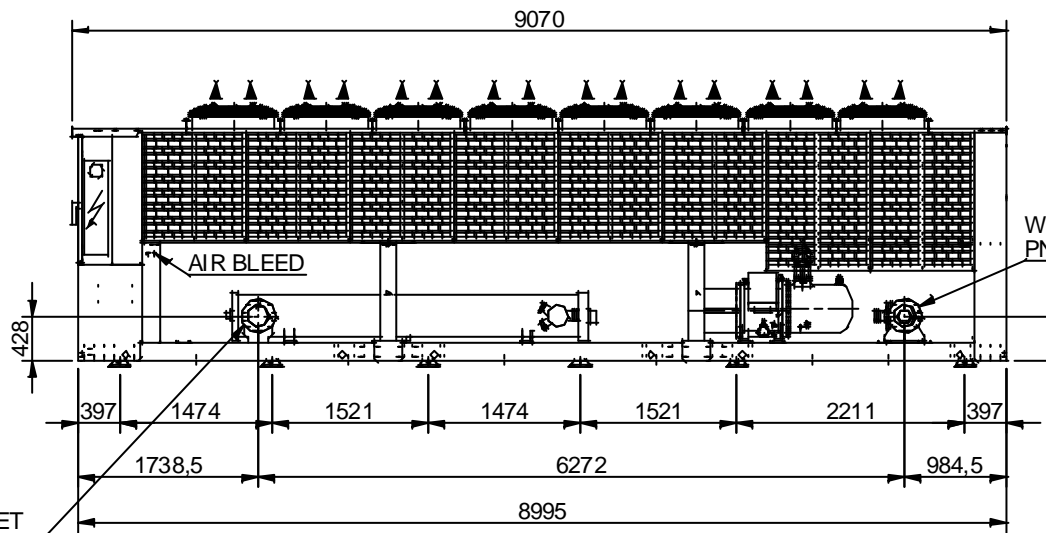
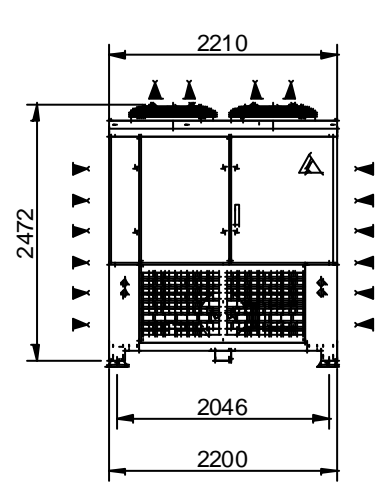


N°12 VIBRATOR ISOLATORS
60020034 45° ShA



DETAIL A



WATER OUTLET
PN16 DN200

MIN EMPTY WEIGHT	8500 kg.
MAX OPERATING WEIGHT	9800 kg.

Scala-Scala	Data-Date	Dis.to-Drawn	N°Pezzi	
Peso-Weight Kg.	10/06/09	Quaglio R.		
Materiali-Materials				
Denominazione-Denomination Water chiller YSFC series mod. YSFC0850				
Particolare-Detail Dimensioni d'ingombro / Overall dimension				DIS-DRAWN. YSFC0850D02
				Revisione 00
				PROGRAM.N.