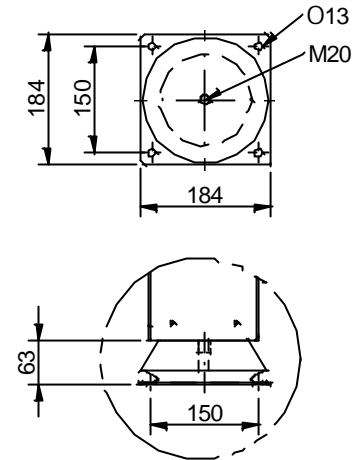
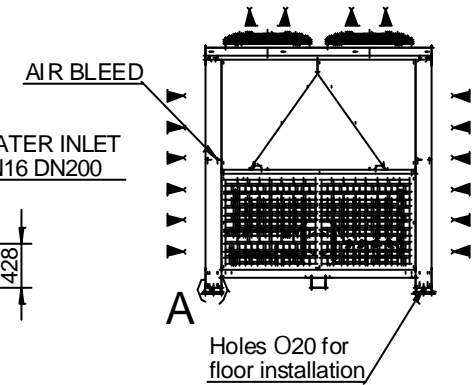
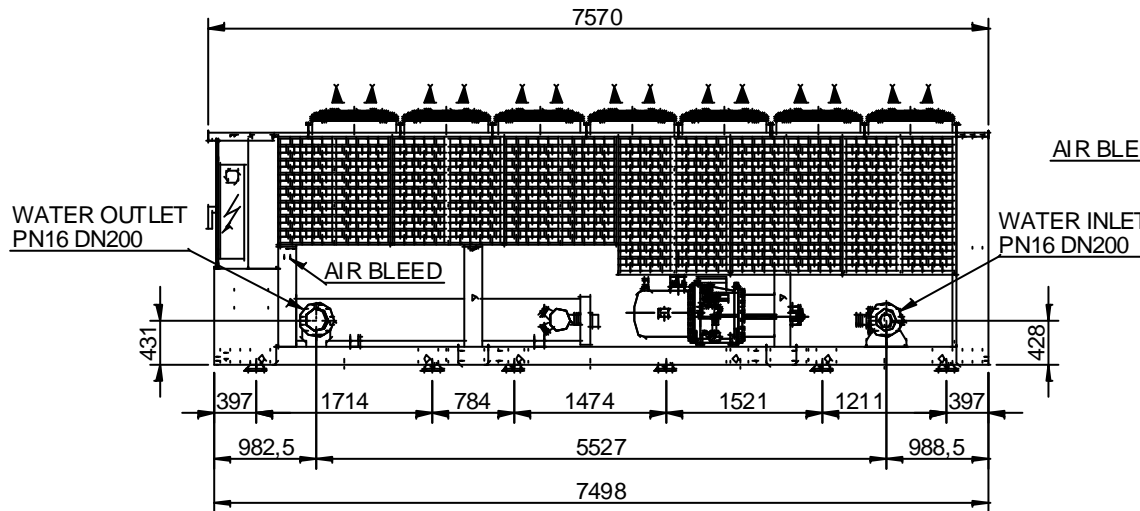
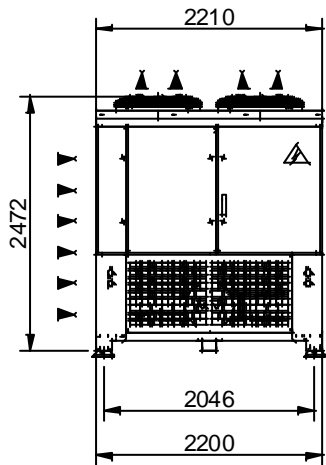


N°12 VIBRATOR ISOLATORS
60020034 45° ShA



DETAIL A



MIN EMPTY WEIGHT	7000 kg.
MAX OPERATING WEIGHT	8200 kg.

Scala-Scala	Data-Date	Dis.to-Drawn	N°Pezzi	
Peso-Weight Kg.	11/06/09	Quaglio R.		
Materiale-Materials				
Denominazione-Denomination Water chiller YSFC series mod. YSFC0750				
Particolare-Detail Dimensioni d'ingombro / Overall dimension				DIS-DRAWN. YSFC0750D02
				Revisione 00
				PROGRAM.N.