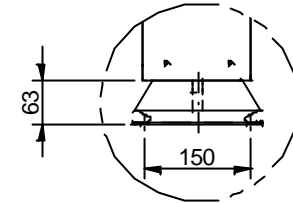
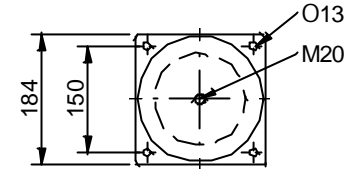
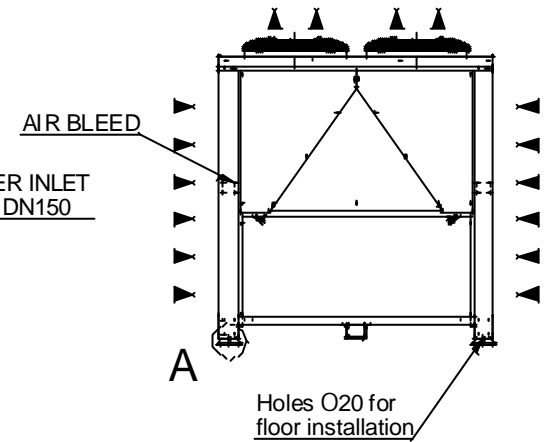
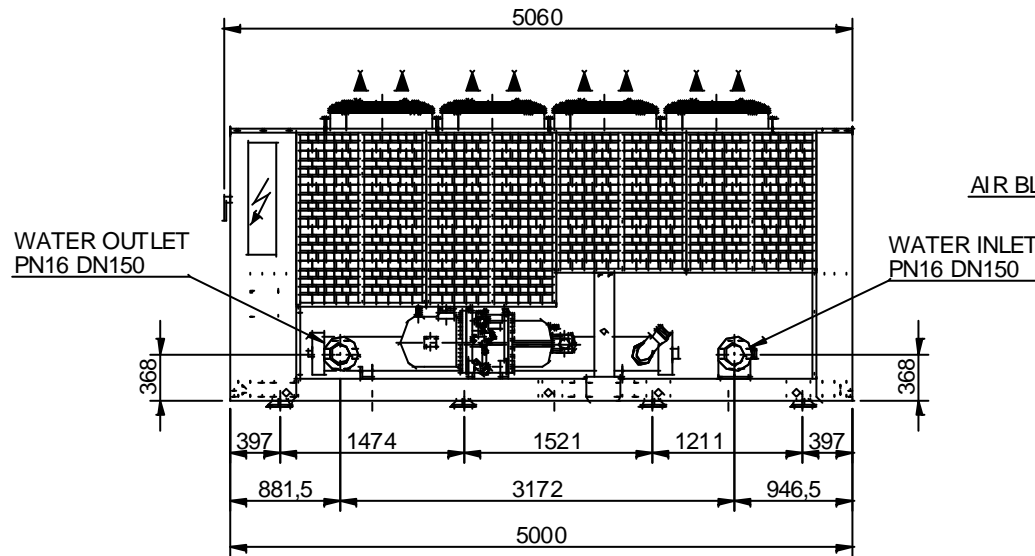
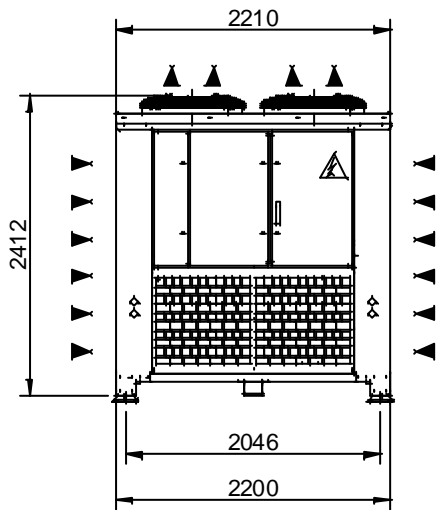


N°08 VIBRATOR ISOLATORS
60020034 45° ShA



DETAIL A



MIN EMPTY WEIGHT	4800 kg.
MAX OPERATING WEIGHT	5700 kg.

Scala-Scala	Data-Date	Dis.to-Drawn	N°Pezzi	
	15/06/09	Quaglio R.		
Peso-Weight Kg.	Materiali-Materials			
Denominazione-Denomination Water chiller YSFC series mod. YSFC0400				
Particolare-Detail Dimensioni d'ingombro / Overall dimension				
DIS-DRAWN. YSFC0400D02				
Revisione 00				
PROGRAM.N.				