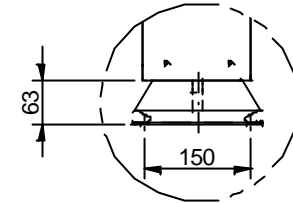
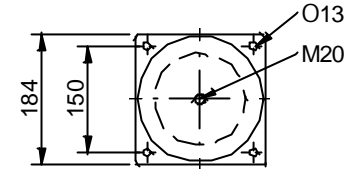
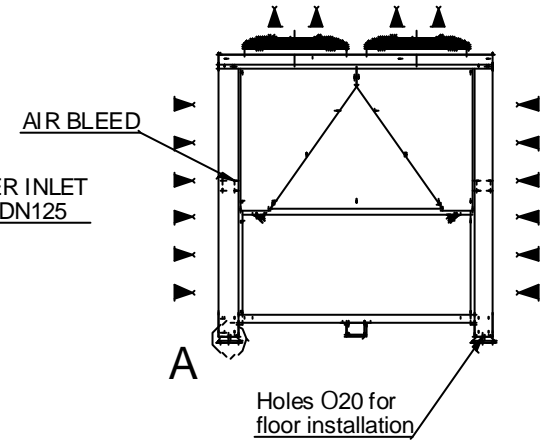
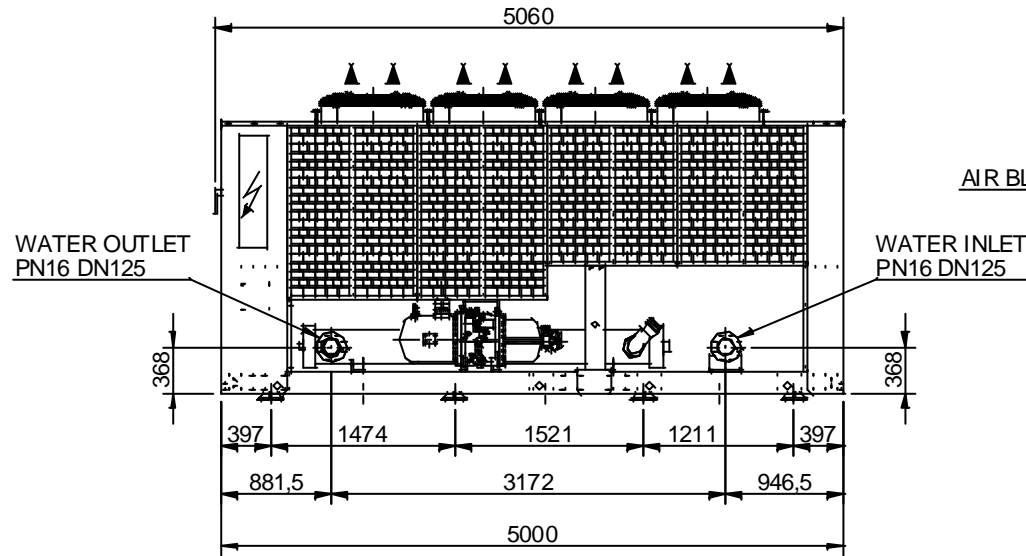
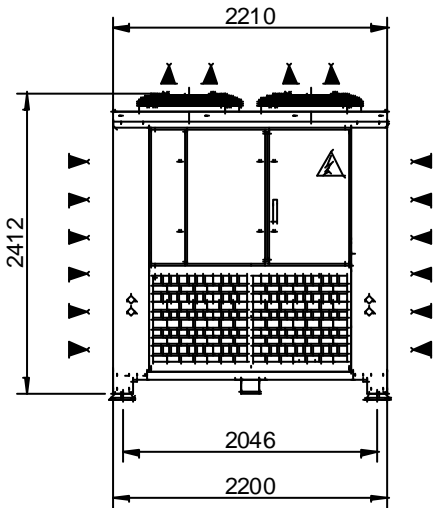


N°08 VIBRATOR ISOLATORS
60020034 45° ShA



DETAIL A



MIN EMPTY WEIGHT	4500 kg.
MAX OPERATING WEIGHT	5300 kg.

Scala-Scala	Data-Date	Dis.to-Drawn	N°Pezzi	
Peso-Weight Kg.	15/06/09	Quaglio R.		
Denominazione-Denomination				
Water chiller YSFC series mod. YSFC0300				
Particolare-Detail				DIS-DRAWN.
Dimensioni d'ingombro / Overall dimension				Revisione
				PROGRAM.N.