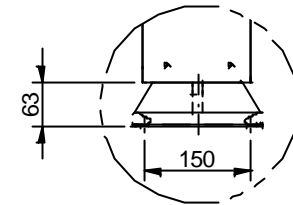
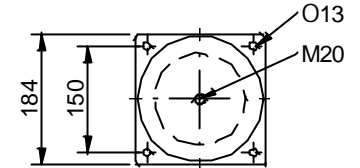
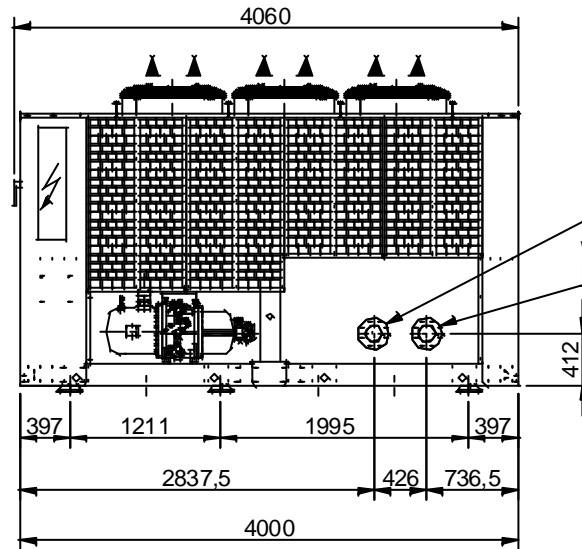
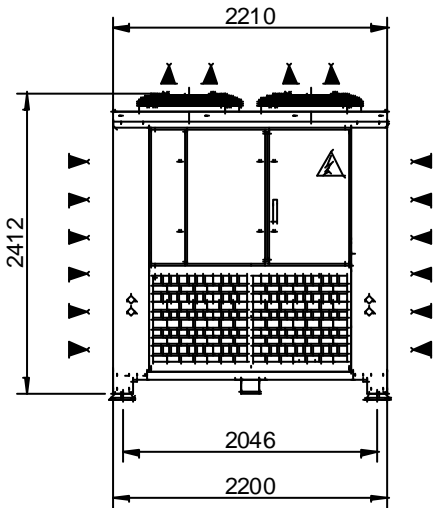


N°06 VIBRATOR ISOLATORS
60020034 45° ShA



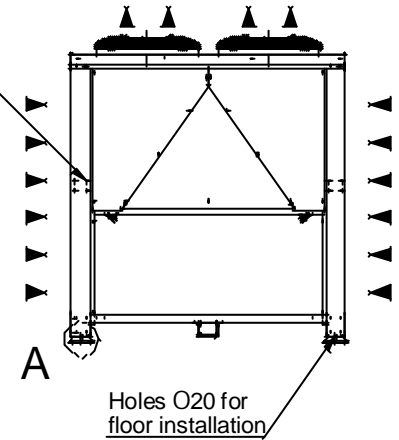
DETAIL A



AIR BLEED

WATER OUTLET
PN16 DN125

WATER INLET
PN16 DN125



Holes O20 for
floor installation

MIN EMPTY WEIGHT	3900 kg.
MAX OPERATING WEIGHT	4600 kg.

Scala-Scala	Data-Date	Dis.to-Drawn	N°Pezzi	
	17/06/09	L. Anali		
Peso-Weight Kg.	Materiali-Materials			
Denominazione-Denomination Water chiller YSFC series mod. YSFC0275				
Particolare-Detail Dimensioni d'ingombro / Overall dimension				DIS-DRAWN. YSFC0275D02 Revisione 01 PROGRAM.N.