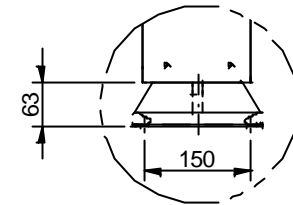
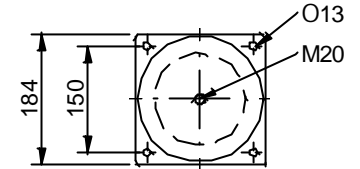
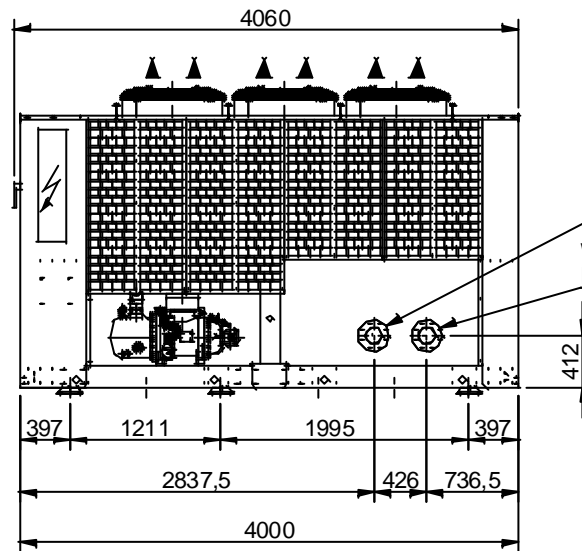
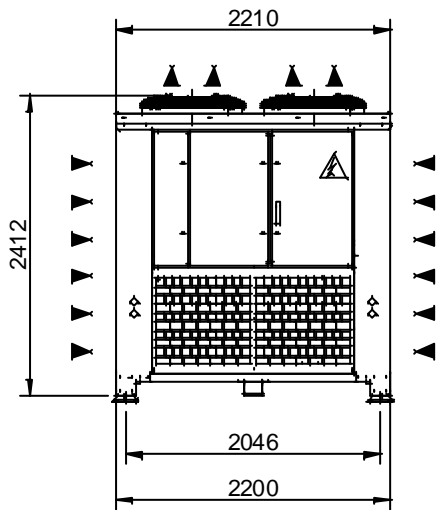


N°06 VIBRATOR ISOLATORS
60020034 45° ShA



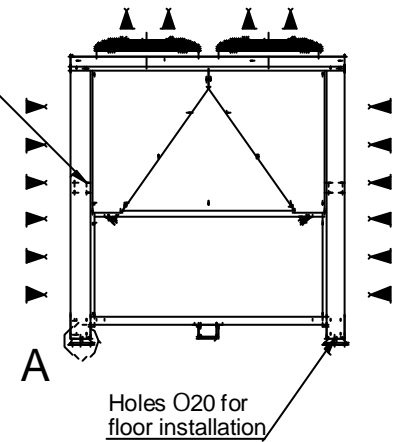
DETAIL A



AIR BLEED

WATER OUTLET
PN16 DN125

WATER INLET
PN16 DN125



Holes O20 for
floor installation

MIN EMPTY WEIGHT	3700 kg.
MAX OPERATING WEIGHT	4500 kg.

Scala-Scala	Data-Date	Dis.to-Drawn	N°Pezzi	
Peso-Weight Kg.	17/06/09	L. Anali		
Denominazione-Denomination				
Water chiller YSFC series mod. YSFC0250				
Particolare-Detail				Revisione
Dimensioni d'ingombro / Overall dimension				PROGRAM.N.