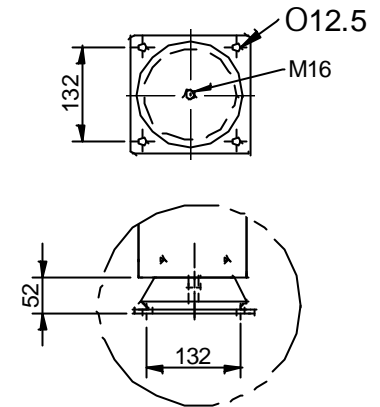
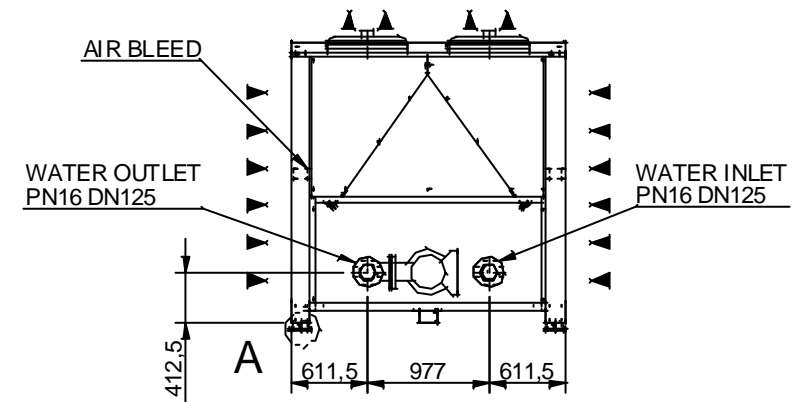
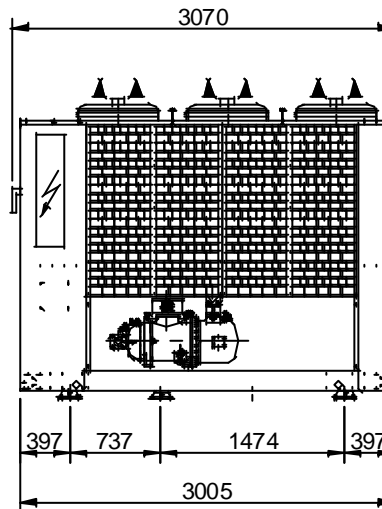
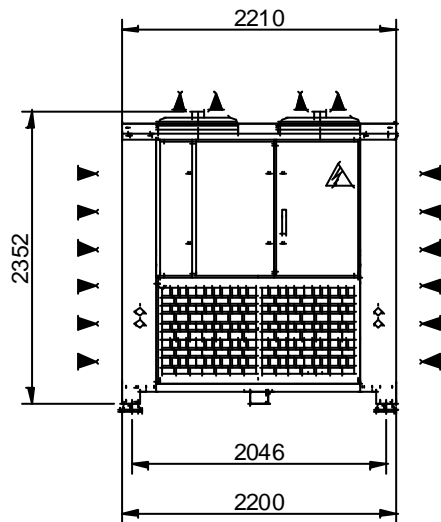


N° 6 VIBRATOR ISOLATORS
CODE 60016032 70ShA



DETAIL A



MIN EMPTY WEIGHT	3200 kg.
MAX OPERATING WEIGHT	3900 kg.

Scala-Scala	Data-Date	Dis.to-Drawn	N°Pezzi		
Peso-Weight Kg.	16/06/09	Quaglio R.			
Materiali-Materials					
Denominazione-Denomination					
Water chiller YSFC series mod. YSFC0200				DIS.-DRAW.N.	YSFC0200D03
Particolare-Detail				Revisione	00
Dimensioni d'ingombro / Overall dimension				PROGRAM.N.	