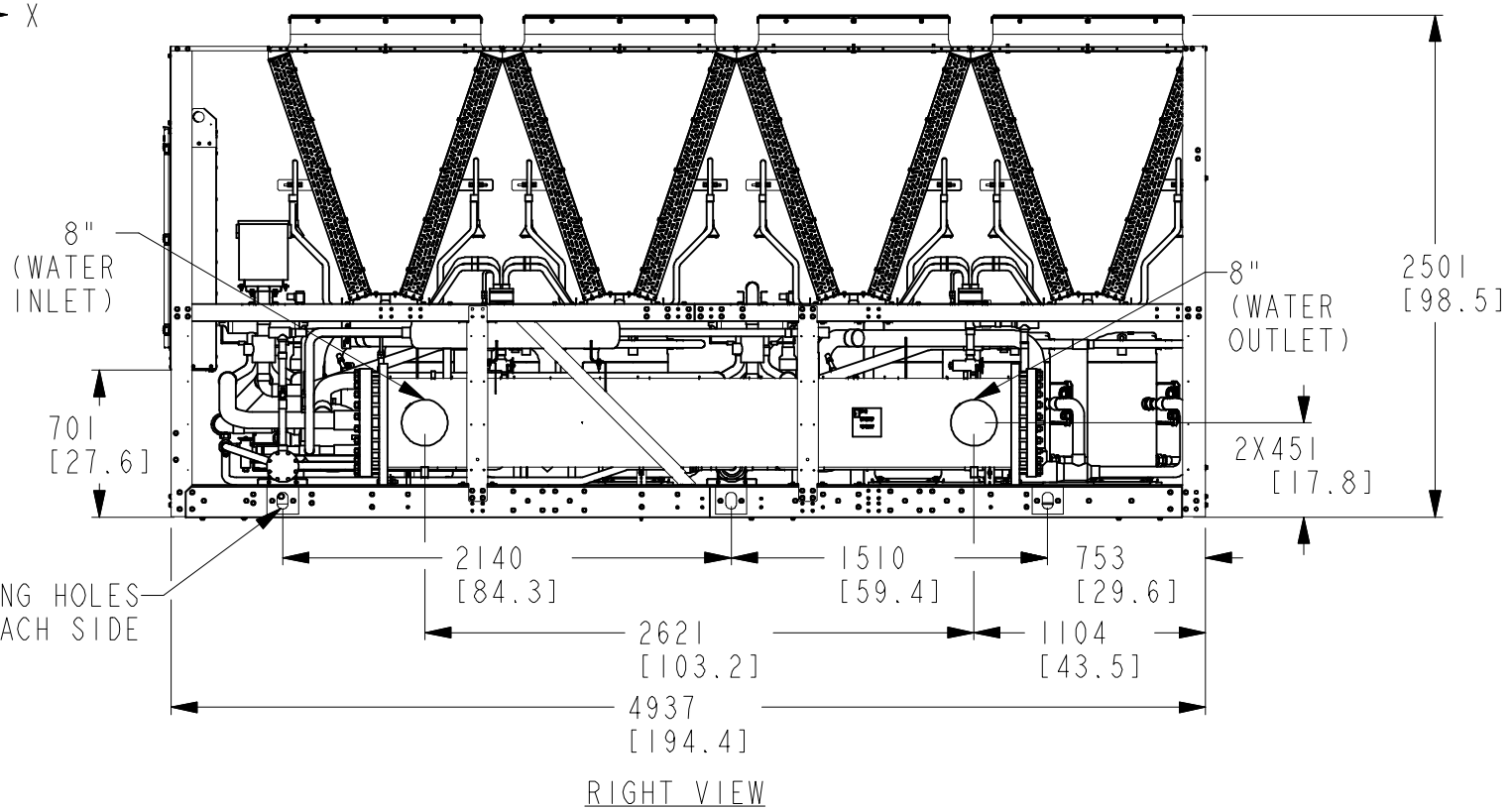
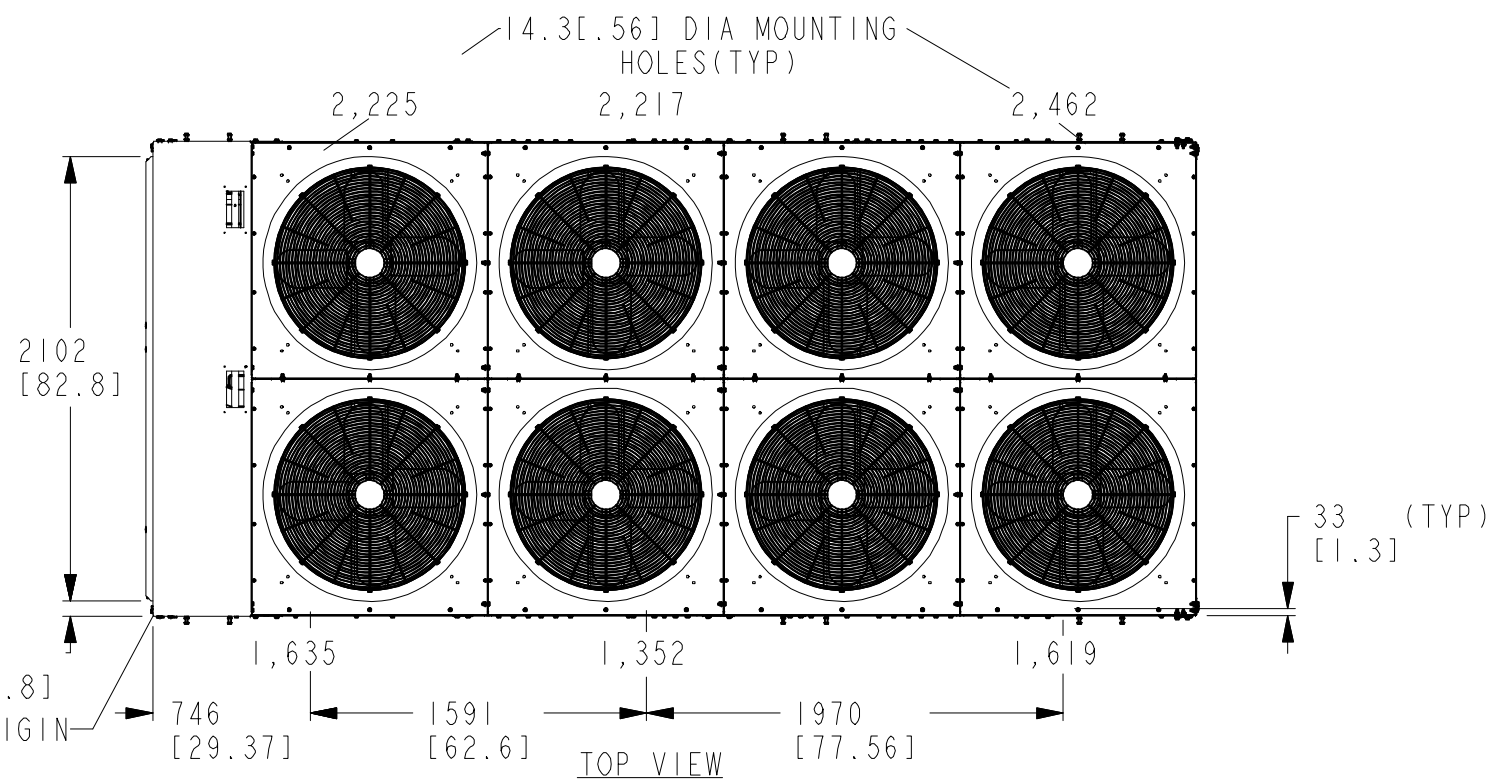
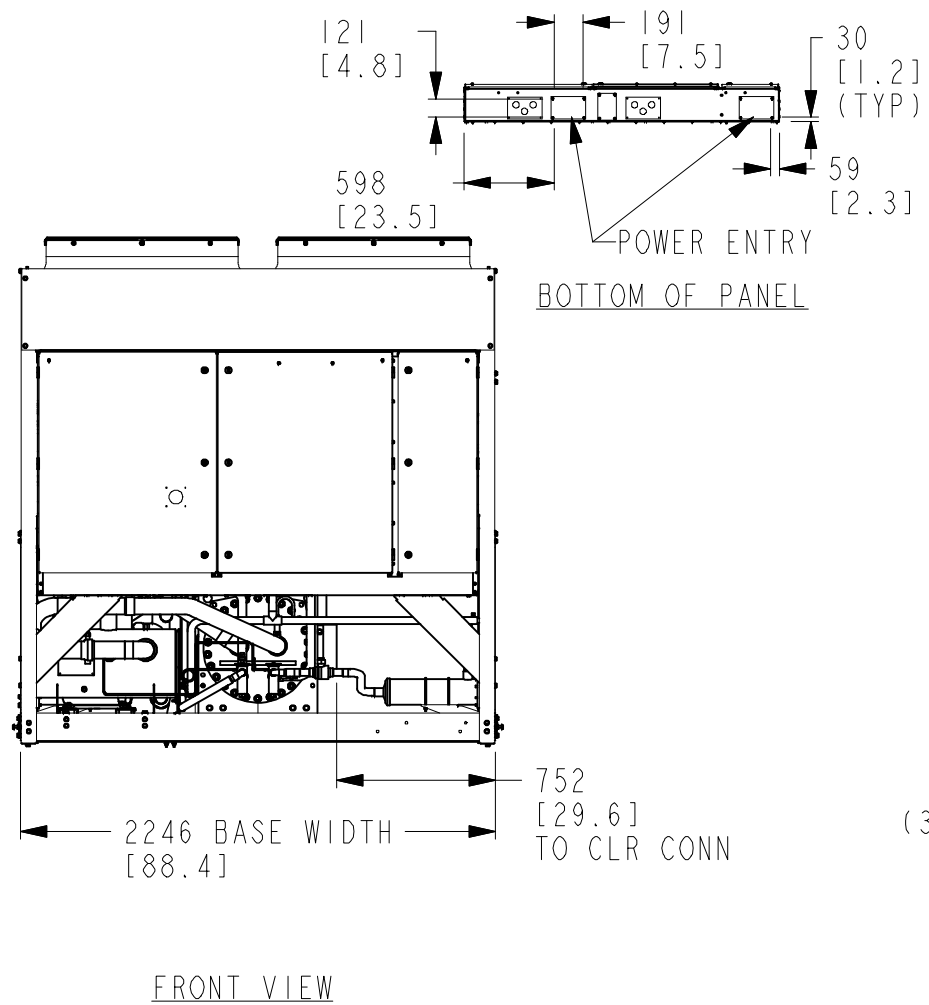


NOTES:

1. PLACEMENT ON A LEVEL SURFACE FREE OF OBSTRUCTIONS (INCLUDING SNOW, FOR WINTER OPERATION) OR AIR RECIRCULATION ENSURES RATED PERFORMANCE, RELIABLE OPERATION AND EASE OF MAINTENANCE. SITE RESTRICTIONS MAY COMPROMISE MINIMUM CLEARANCES INDICATED BELOW, RESULTING IN UNPREDICTABLE AIR FLOW PATTERNS AND POSSIBLE DIMINISHED PERFORMANCE. YORK'S UNIT CONTROLS WILL OPTIMIZE OPERATION WITHOUT NUISANCE HIGH PRESSURE SAFETY CUTOUT; HOWEVER, THE SYSTEM DESIGNER MUST CONSIDER POTENTIAL PERFORMANCE DEGRADATION. RECOMMENDED MINIMUM CLEARANCES: COIL SIDE - 2m COMPRESSOR SIDE - 1.2m; CONTROL SIDE - 2m; TOP - NO OBSTRUCTIONS ALLOWED; DISTANCE BETWEEN ADJACENT UNITS - 3m. NO MORE THEN ONE ADJACENT WALL MAY BE HIGHER THEN THE UNIT.
2. WEIGHTS (KG): SHIPPING - 4,900, OPERATING - 5,200.
3. CENTER OF GRAVITY FROM ORIGIN: X= 2502.0, Y= 1351.7 .
4. INSTALLING CONTRACTOR MUST INCLUDE VENT AND DRAIN ACCOMODATIONS IN CHILLED WATER PIPING NEAR THE EVAPORATOR.



			JOHNSON CONTROLS - BUILDING EFFICIENCY 507 EAST MICHIGAN STREET, MILWAUKEE, WI, 53202 USA	
THIRD ANGLE		DO NOT SCALE UNLESS OTHERWISE SPECIFIED, DIMENSIONS ARE IN MILLIMETERS		PRODUCT DRAWING 0495SE CE YLPA
DRAWN Q.LIU 10-SEP-2010 MODELER Q.LIU 10-SEP-2010 CHKD Y.ZHANG 10-SEP-2010 ENG		A3	CAGE NUMBER 66935	MATERIAL ENG. STD. PART NO. CUT SIZE DRAWING NUMBER 075-94325-105 REVISION - VERSION 0
SCALE: 0.011		MASS (kg): SEE ABOVE		ORIG. NO.: SHEET 1 OF 1

REV.	DATE	EC. NO.	DR.	CHK.	ENG.
-		DX10-0324			
NEW					

"ALL PROPRIETARY RIGHTS IN THE SUBJECT MATTER HEREOF ARE RESERVED AND NO PERMISSION IS GRANTED TO REPRODUCE THIS PRINT IN WHOLE OR IN ANY PART, OR DISCLOSE ANY OF THE INFORMATION UPON IT TO OTHERS WITHOUT WRITTEN RELEASE BY JOHNSON CONTROLS INCORPORATED"

REVISION

RELEASED