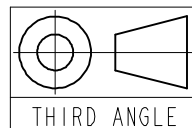
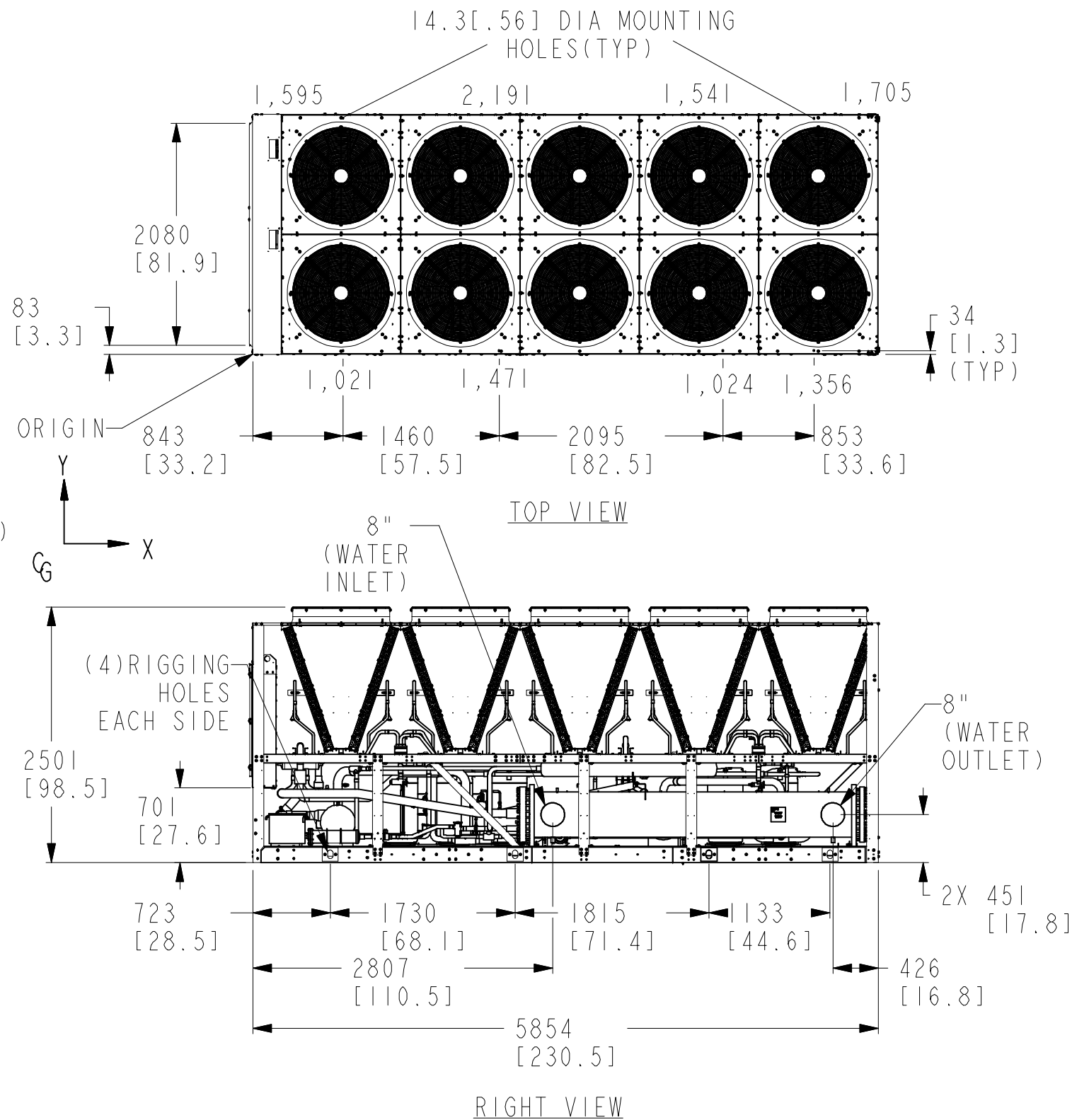
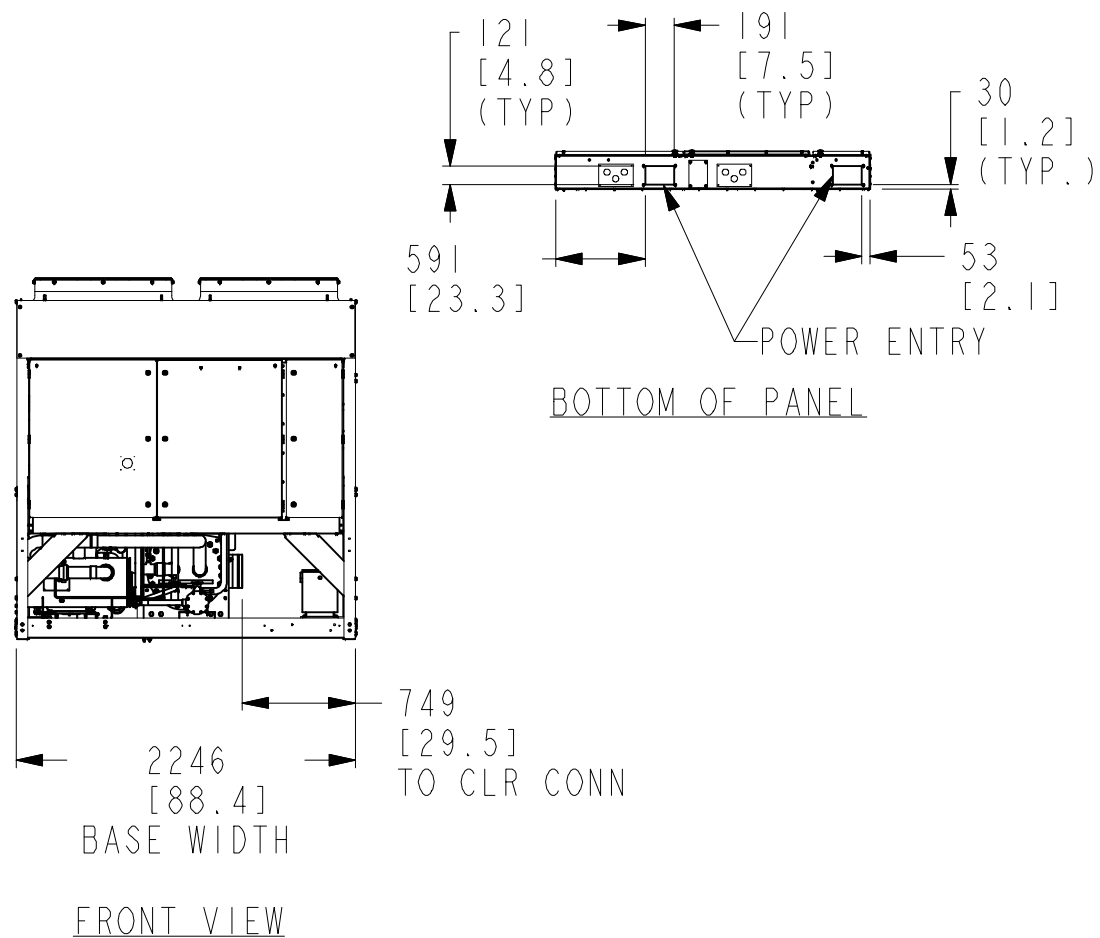


NOTES:

1. PLACEMENT ON A LEVEL SURFACE FREE OF OBSTRUCTIONS (INCLUDING SNOW, FOR WINTER OPERATION) OR AIR RECIRCULATION ENSURES RATED PERFORMANCE, RELIABLE OPERATION AND EASE OF MAINTENANCE. SITE RESTRICTIONS MAY COMPROMISE MINIMUM CLEARANCES INDICATED BELOW, RESULTING IN UNPREDICTABLE AIR FLOW PATTERNS AND POSSIBLE DIMINISHED PERFORMANCE. YORK'S UNIT CONTROLS WILL OPTIMIZE OPERATION WITHOUT NUISANCE HIGH PRESSURE SAFETY CUTOUT; HOWEVER, THE SYSTEM DESIGNER MUST CONSIDER POTENTIAL PERFORMANCE DEGRADATION. RECOMMENDED MINIMUM CLEARANCES: COIL SIDE - 2m COMPRESSOR SIDE - 1.2m; CONTROL SIDE - 2m; TOP - NO OBSTRUCTIONS ALLOWED; DISTANCE BETWEEN ADJACENT UNITS - 3m. NO MORE THEN ONE ADJACENT WALL MAY BE HIGHER THEN THE UNIT.
2. WEIGHTS (KG): SHIPPING - 5,100, OPERATING - 5,400
3. CENTER OF GRAVITY FROM ORIGIN: X= 3191.4, Y= 1318.1
4. INSTALLING CONTRACTOR MUST INCLUDE VENT AND DRAIN ACCOMODATIONS IN CHILLED WATER PIPING NEAR THE EVAPORATOR.



Johnson Controls

JOHNSON CONTROLS - BUILDING EFFICIENCY

507 EAST MICHIGAN STREET, MILWAUKEE, WI, 53202 USA

DO NOT SCALE UNLESS OTHERWISE SPECIFIED, DIMENSIONS ARE IN MILLIMETERS		
DRAWN	H.S.CHEN	10-SEP-2010
MODELER	H.S.CHEN	10-SEP-2010
CHKD	Y.ZHANG	10-SEP-2010
ENG		

PRODUCT DRAWING	
0425HE CE	
YLPA	
A3	CAGE NUMBER
66935	

MATERIAL	
ENG. STD.	
PART NO.	
CUT SIZE	
DRAWING NUMBER	REVISION
075-94325-104	-
	VERSION
	0
SHEET 1 OF 1	RELEASED

"ALL PROPRIETARY RIGHTS IN THE SUBJECT MATTER HEREOF ARE RESERVED AND NO PERMISSION IS GRANTED TO REPRODUCE THIS PRINT IN WHOLE OR IN ANY PART, OR DISCLOSE ANY OF THE INFORMATION UPON IT TO OTHERS WITHOUT WRITTEN RELEASE BY JOHNSON CONTROLS INCORPORATED"

REVISION

REV.	DATE	EC. NO.	DR.	CHK.	ENG.
-		DX10-0324			
NEW					

SCALE: 0.091 MASS (kg): SEE ABOVE

ORIG. NO.:

SHEET 1 OF 1