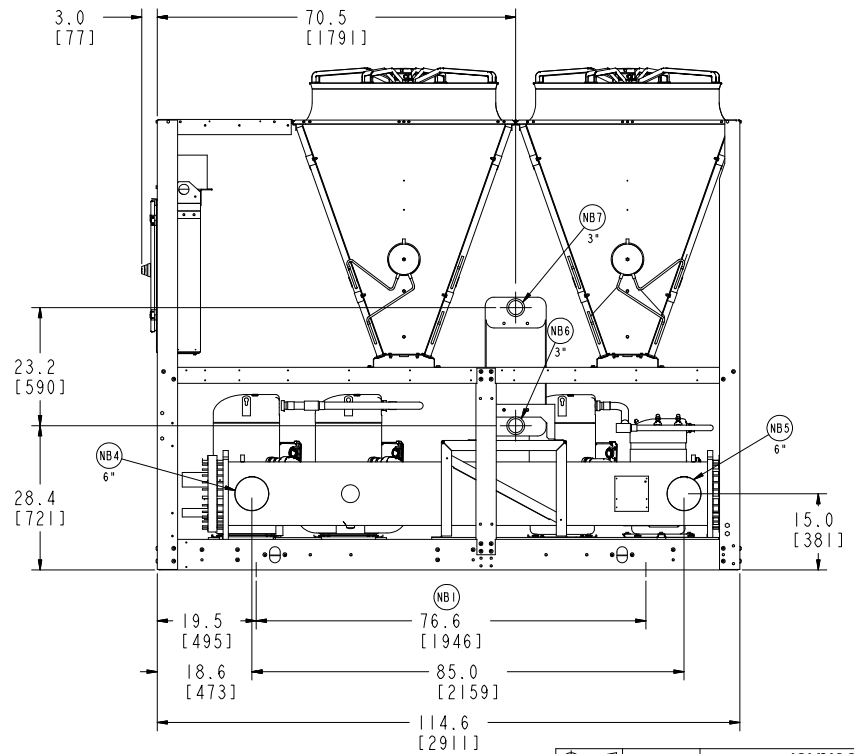


	C
YLAA 0220HE	8.8
YLAA 0260HE	[225]
YLAA 0285SE	5.5
YLAA 0320SE	[139]

YLAA 0220HE
YLAA 0260HE
YLAA 0285SE
YLAA 0320SE

	B
YLAA 0220HE	32.3
YLAA 0285SE	[822]
YLAA 0260HE	30.7
YLAA 0320SE	[767]



REV	DATE	REVISION RECORD	EC. NO.	DR.	CHK. ENG.	INTL. CORP.
A	30-JUL-2009	H/R PHX WATER CONNECTIONS WERE FLANGED	0X00-036	GT	-	TC

JOHNSON CONTROLS
MAYNE HOUSE, FENTON WAY, BASILDON, ESSEX, SS16 6RZ, UK.

THIRD ANGLE
DIMENSIONS ARE IN MM (DO NOT SCALE)
TOLERANCES PER ISO 2768
WELDING PER WELD INDEX

PERMISSION IS GRANTED TO REPRODUCE THIS PRINT IN WHOLE OR IN ANY PART, OR DISCLOSE ANY OF THE INFORMATION HEREIN TO OTHERS WITHOUT WRITTEN RELEASE BY YORK INTERNATIONAL CORPORATION

YORK
BY JOHNSON CONTROLS

PRODUCT DRAWING
YLAA 0220HE, YLAA 0260HE, YLAA 0285SE & YLAA 0320SE

MATERIAL: -
ENG. STD.: -
PART NO.: -

CAGE NUMBER: A1
XXXXX

DRAWING NUMBER: 035-22325-000
REVISION: 0

SCALE: .075
WEIGHT: .000 KG
DRG. NO.: -
SHEET: 1 OF 1
RELEASED