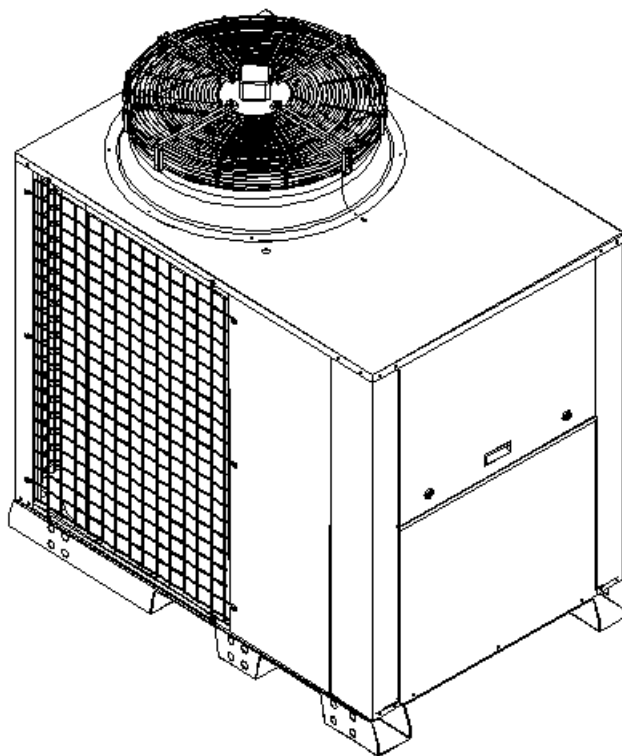




BY JOHNSON CONTROLS

VITALITY LARGE SPLIT AIR - AIR

Air conditioning units



General Information

Ref.: N-40339_EN 0210



Index

1	General Information.....	1
1.1	Copyright.....	2
1.2	Introduction.....	2
1.3	Unit identification.....	3
1.3.1	Product classification.....	3
1.3.2	Rating plate.....	4
1.3.3	Serial number plate.....	4
1.4	Contacting the manufacturer.....	4

1

General Information

1.1 Copyright

© Copyright 2009 Johnson Controls Inc. – All rights reserved.

No part of this document may be reproduced, published, stored in an electronic database or transmitted in any form or by any means without the permission of Johnson Controls Inc.

In keeping with its policy of continuous improvement of product quality, Johnson Controls Inc. reserves the right to make changes at any time, without prior notification and without obligation to incorporate them into products already sold. As such, this document may have been subject to modification during the life of the product.

As a consequence, some images used for illustration may not correspond to this specific model. No claims will be accepted based on the data, illustrations or descriptions in this manual.

No modification may be made to the unit without prior written authorisation by the manufacturer.

1.2 Introduction

This manual provides the necessary information for the safe and correct use of the unit. Along with the rest of the documents provided with the unit, this document forms an integral part of the user and installation manual. As such, it should be kept in good condition in a suitable place.

READ AND UNDERSTAND THIS MANUAL BEFORE USING THE UNIT. This document provides the knowledge required to use the unit safely and efficiently along with the necessary instructions for installation and maintenance. Using this knowledge guarantees the condition and operating safety of the unit.

Store these documents in an appropriate place that is easy to find to be sure that the information included in them remains available. If you need another copy, contact Johnson Controls Inc.: [Contacting the manufacturer](#) , see on page 4 .

1.3 Unit identification

1.3.1 Product classification

VITALITY Series					
	Indoor	Model		Version	Fins
V	I	R: reversible	Rated cooling capacity 25: 25 kW 40: 40 kW 45: 45 kW 60: 60 kW 75: 75 kW 90: 90 kW	A	A: aluminium B: blue fin C: copper A
			20		

VITALITY Series					
	AXIAL Outdoor	Model		Version	Fins
V	A	C: air conditioning H: heat pump	Rated cooling capacity 20: 20 kW 25: 25 kW 30: 30 kW 40: 40 kW 45: 45 kW 60: 60 kW 75: 75 kW 90: 90 kW	A	A: aluminium B: blue fin C: copper A
			20		

1.3.2 Rating plate

The rating plate is located on one of the corner panels of the unit, visible to users.

It specifies the defining features of the air conditioning unit. The CE marking logo is on the upper left margin.

CONTROL		JOHNSON CONTROLS	
<input type="text"/>		MANUFACTURING ESPAÑA, S.L.	
0999			
MANUFACTURED IN SPAIN UNDER LICENSE FROM YORK INTERNATIONAL			
MOD.	<input type="text"/>		COD. <input type="text"/>
INTERCAMBIADOR INTERIOR – INDOOR HEAT EXCHANGER			
TEMPERATURA MAXIMA	(TS) <input type="text"/> °C	PRESION MAXIMA	<input type="text"/> bar
MAXIMUN TEMPERATURE		MAXIMUN PRESSURE	
<input type="text"/> kW (FRIO)	<input type="text"/> kW (CALOR)	AIRE	<input type="text"/> m ³ /s
(COOLING)	(HEATING)	AIR FLOW	
INTERCAMBIADOR EXTERIOR – OUTDOOR HEAT EXCHANGER			
TEMPERATURA MAXIMA	(TS) <input type="text"/> °C	PRESION MAXIMA	<input type="text"/> bar
MAXIMUN TEMPERATURE		MAXIMUN PRESSURE	
AIRE	<input type="text"/> m ³ /s		
AIR FLOW			
COMPRESORES	n° <input type="text"/>	PESO FUNC.	<input type="text"/> Kg.
COMPRESSORS		OPERATING WEIGHT	<input type="text"/> dBA
REFRIG.	<input type="text"/> KG.SYS.1+	<input type="text"/> KG.SYS.2+	<input type="text"/> KG.SYS.3
FASES	<input type="text"/> V.	<input type="text"/> Hz.	<input type="text"/> kW <input type="text"/> IP.
PHASES			
FRIO	CEE <input type="text"/> W/W	<input type="text"/> A.(PC)	<input type="text"/> A.(RB)
COOLING		(FL)AMPS.	(LR)AMPS.
CALOR	CEE <input type="text"/> W/W	<input type="text"/> A.(PC)	<input type="text"/> A.(RB)
HEATING		(FL)AMPS.	(LR)AMPS.
CALEFACCION GAS/GAS FURNACE HEATING			
CALOR TOTAL	<input type="text"/> kW	PRESION ENTRADA GAS	MIN. <input type="text"/> mbar
HEATING		GAS SUPPLY RANGE	MAX. <input type="text"/> mbar
NETO/NET	<input type="text"/> kW		
CEE			

1.3.3 Serial number plate

The serial number plate is located next to the rating plate on one of the corner panels of the unit, visible to users.

It contains the serial number that uniquely identifies the air conditioning unit. The CE marking logo is on the upper left margin.

CONTROL		JOHNSON CONTROLS	
<input type="text"/>		MANUFACTURING ESPAÑA, S.L.	
S/N.			

1.4 Contacting the manufacturer

Contact Johnson Controls Inc. with any queries, complaints or claims or to order spare parts.

Johnson Controls Inc.

Paseo Espronceda, 278, Sabadell 08204 (Barcelona) Spain.

Website: www.johnsoncontrols.com