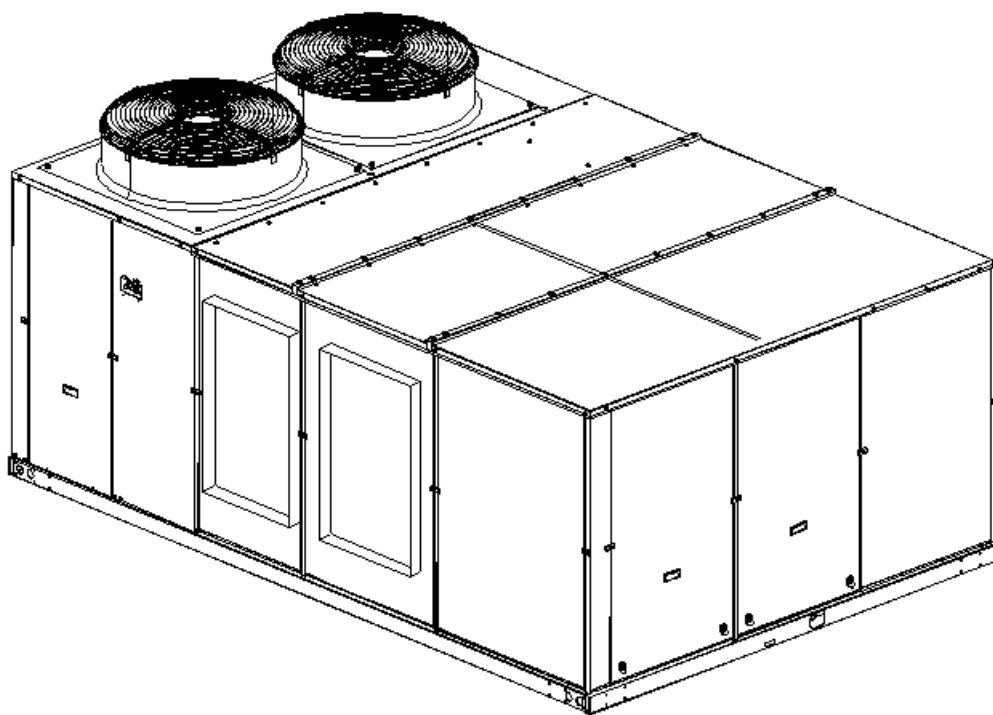




BY JOHNSON CONTROLS

Panels with flanges for side ducts in ROOF TOP ACTIVA 045-090



Options and Accessories, Installation manual

Ref.: N-40324_EN 0809



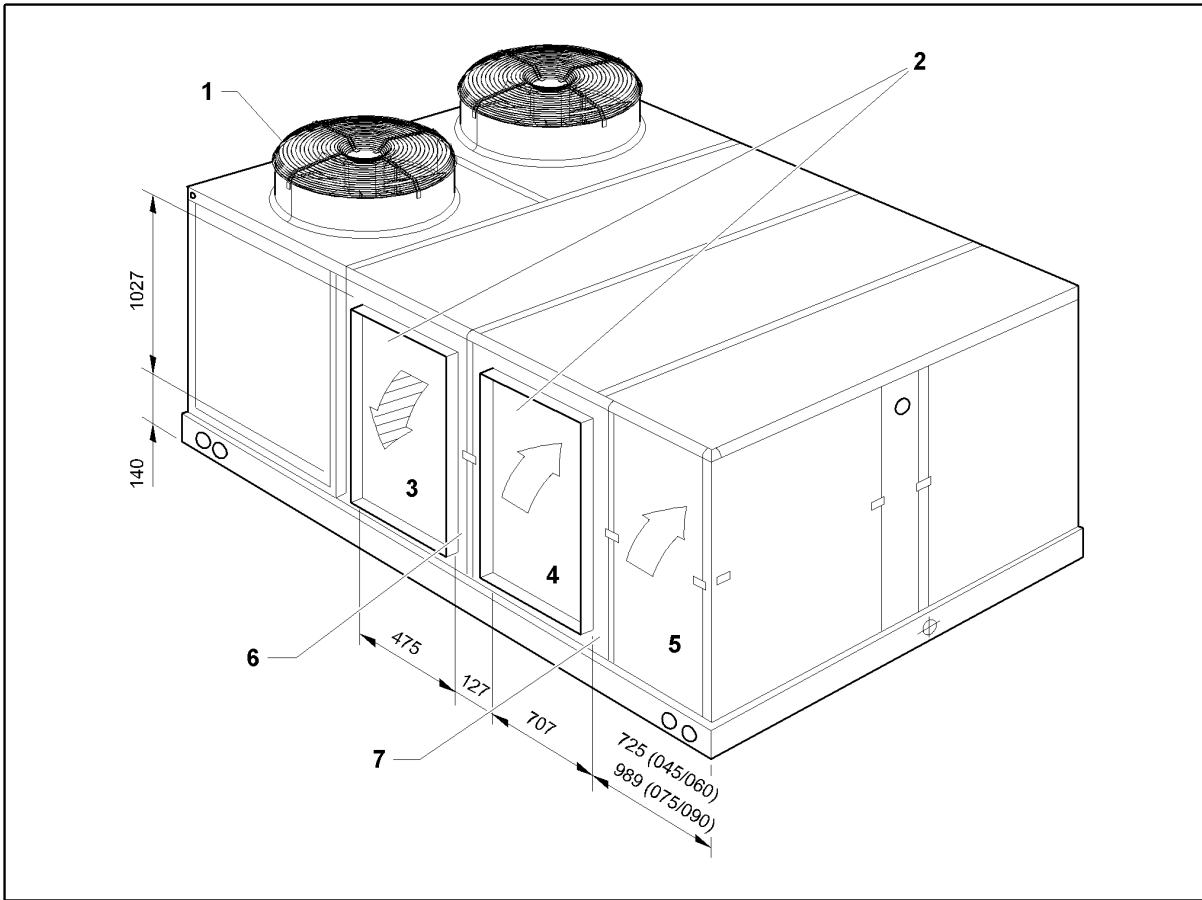
Index

1	Panels with flanges for side ducts in ROOF TOP ACTIVA 045-090.....	1
1.1	Assembly.....	2
1.2	General Information.....	2
1.3	Installation.....	2

1

**Panels with flanges for side ducts in
ROOF TOP ACTIVA 045-090**

1.1 Assembly



- | | |
|--|----------------------|
| 1. Condenser section | 5. Outdoor air |
| 2. Panels to be replaced by the accessory kit panels | 6. Supply air access |
| 3. Supply air | 7. Return air access |
| 4. Return air | |

1.2 General Information

This consists of two panels required for connecting the side, supply and/or return ducts on the unit. Both panels have 24 mm high flanges. The dimensions of the connection are indicated in the diagram.

1.3 Installation

- 1 Replace the side panels of the original supply and/or return air compartments in the unit with the panels supplied in the kit.



CAUTION

To ensure the seal of the panels, make sure all screws are fitted with their O-ring (located between the supporting inside of the panel and the base of the unit).

- 2 Connect the ducts to the flanges on the panels to ensure a sealed connection.

Data and measurements subject to changes without prior notice.