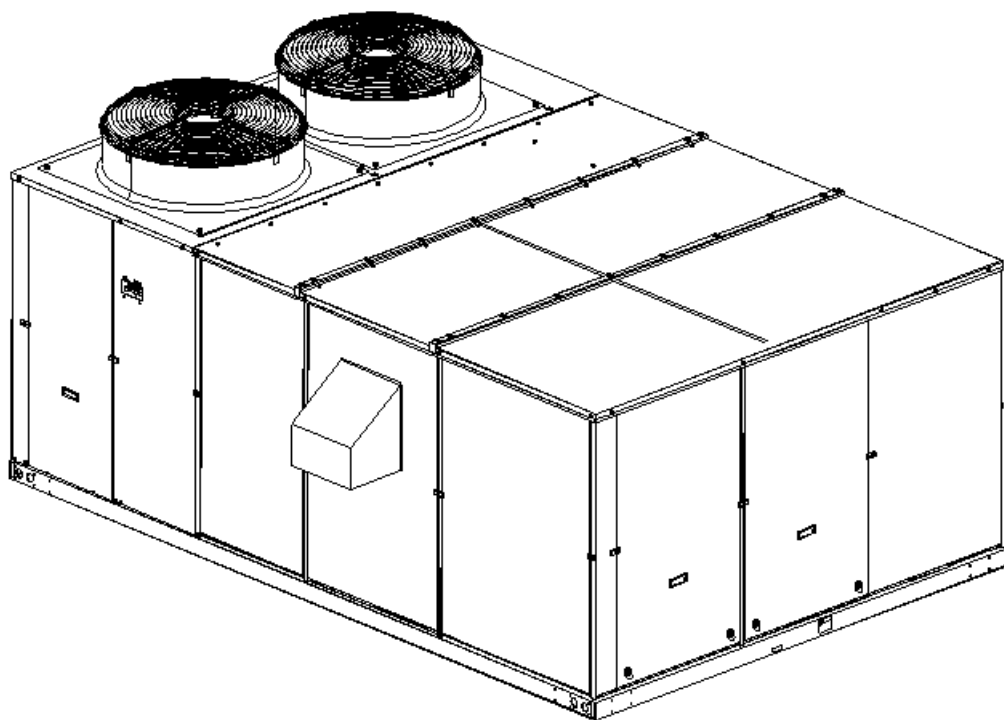




BY JOHNSON CONTROLS

Fixed outdoor air intake for ROOF TOP ACTIVA 045-090



Options and Accessories, Installation manual

Ref.: N-40323_EN 0809



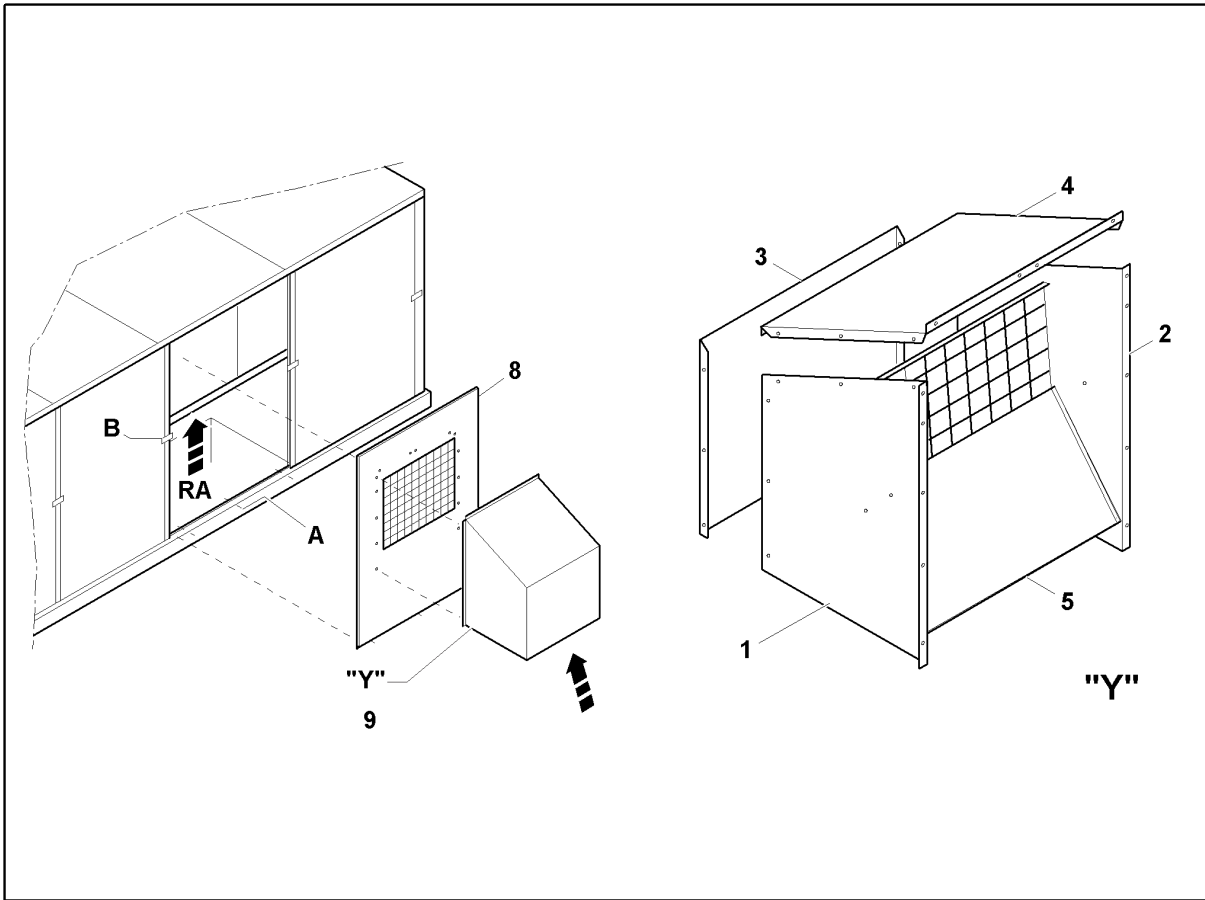
Index

1	Fixed outdoor air intake for ROOF TOP ACTIVA 045-090.....	1
1.1	Assembly.....	2
1.2	General Information.....	2
1.3	List of components.....	2
1.4	Installation.....	3

1

**Fixed outdoor air intake for ROOF TOP
ACTIVA 045-090**

1.1 Assembly



- | | |
|----------------|--------------------------------------|
| 1. Side panel | 8. Return access panel |
| 2. Side panel | 9. Fixed outdoor air intake assembly |
| 3. Front panel | A. Bolts |
| 4. Upper panel | B. Front closures |
| 5. Damper | RA. Return air |

1.2 General Information

Fixed outdoor air intake on equipment not fitted with economiser or motorised damper accessory.

1.3 List of components

This accessory consists of the components indicated in the table.

Pos.	Description	Qty.
1.	Right-hand side panel	1
2.	Left-hand side panel	1
3.	Front panel	1
4.	Upper panel	1
5.	Damper	1
-	Ø 4.8 screw and washer	30
-	Rubber strip	2 m
8.	Panel	1

1.4 Installation

Installation in unit with lower return duct

Remove and dispose of the existing return access panel on the equipment, loosening the screws **-A-** and front closures **-B-**.

⚠ CAUTION

Do not lose the existing O-rings between the panel and the base (3)

Fit the return panel **-8-** supplied in the kit. Secure using the screws **-A-** and front closures **-B-**.

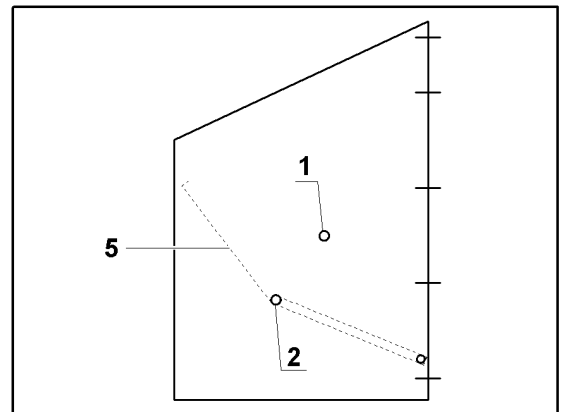
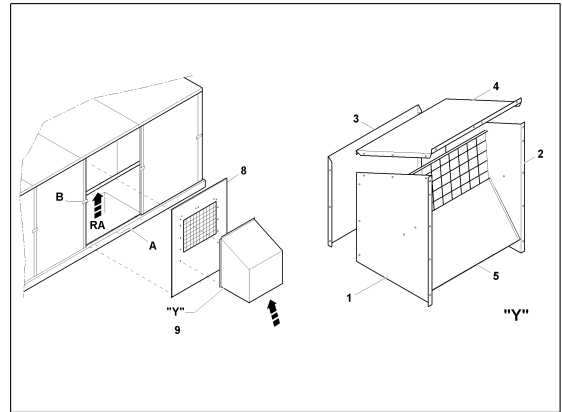
⚠ CAUTION

Refit the O-rings.

Fit the fixed outdoor air intake assembly according to the close-up **-Y-** and adjust the position of the damper according to the proportion of outdoor air required.

- The damper deflector located in position **-1-** will allow for an air flow of approximately 10%.
- In position **-2-**, approximately 15%.
- To allow for approximately 25%, remove the damper deflector.

Apply a continuous strip of rubber over the panel installation holes along the entire length where the outdoor air intake assembly rests. Secure the assembly to the return panel using the screws and seal washer supplied.



1.4 Installation

Installation in unit with side return duct

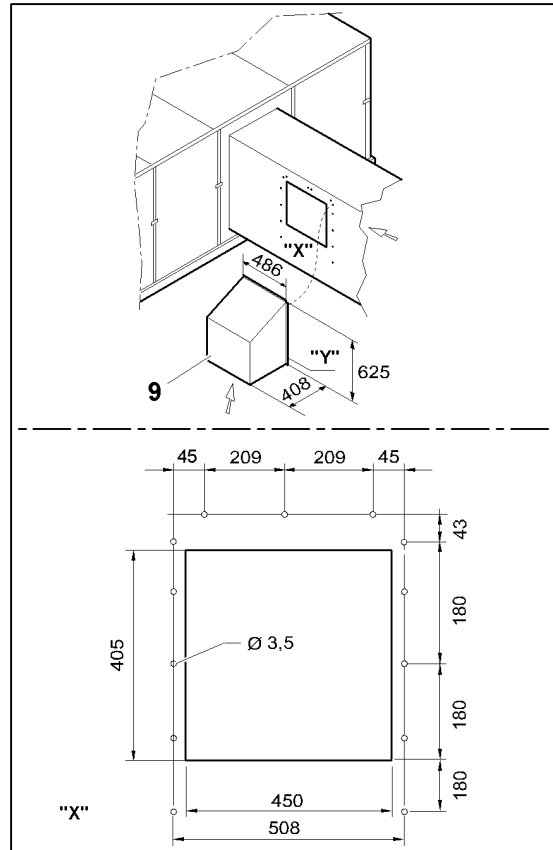
Dispose of access panel -8- supplied in the kit.

Make the window and installation holes in the front side of the duct as close as possible to the unit, according to close-up -X-.

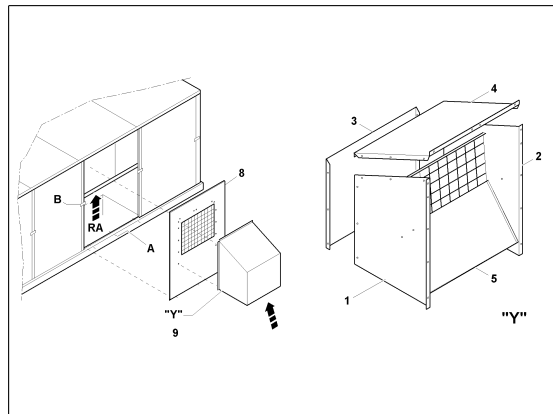


NOTE

As a template, use panel -8-.

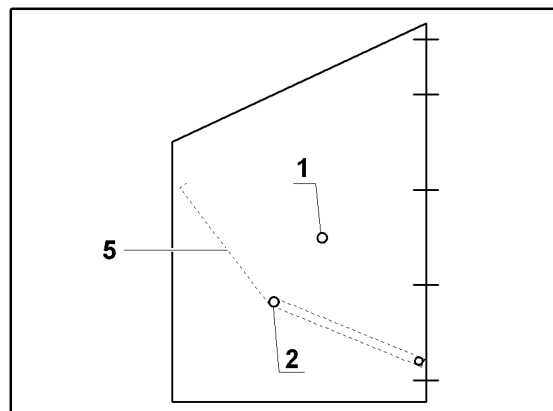


Fit the fixed outdoor air intake assembly according to the close-up -Y- and adjust the position of the damper according to the proportion of outdoor air required.



- The damper deflector located in position -1- will allow for an air flow of approximately 10%.
- In position -2-, approximately 15%.
- To allow for approximately 25%, remove the damper deflector.

Apply a continuous strip of rubber over the 14 installation holes in the panel along the entire length where the outdoor air intake assembly rests. Secure the assembly to the return panel using the screws and seal washer supplied.





NOTE

Weight of the fixed outdoor air intake assembly (without panel -8-): 9 kg.

Data and measurements subject to changes without prior notice.