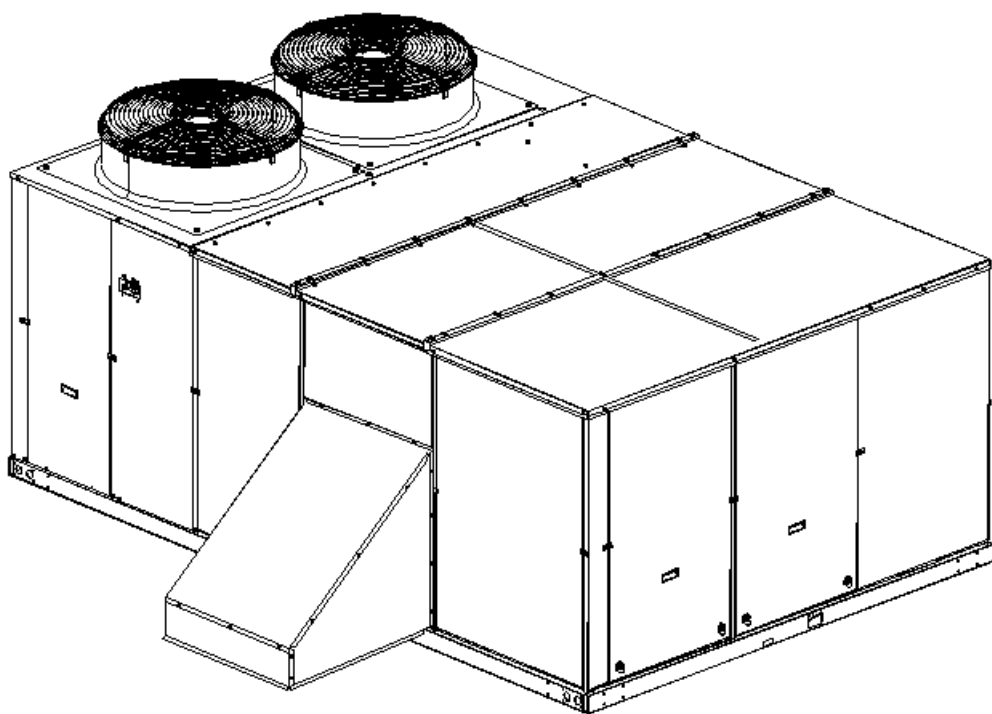




BY JOHNSON CONTROLS

Barometric damper for ROOF TOP ACTIVA 045-090 (Accessory)



Options and Accessories, Installation manual

Ref.: N-40321_EN 0809



Index

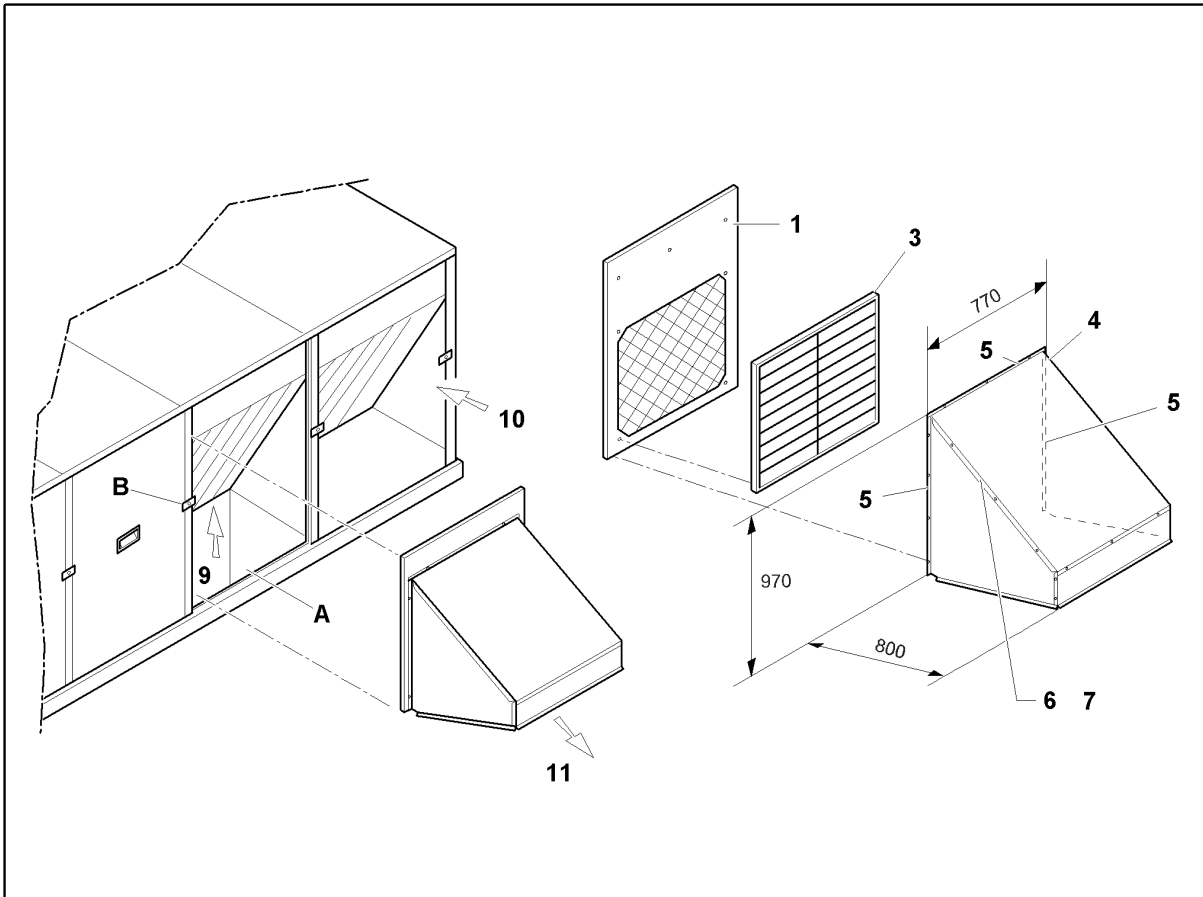
1	Barometric damper for ROOF TOP ACTIVA 045-090 (Accessory).....	1
1.1	Assembly.....	2
1.1.1	Components for unit with lower return duct.....	2
1.1.2	Components for unit with side return duct.....	3
1.2	List of components.....	3
1.3	General Information.....	4
1.4	Installation.....	4

1

**Barometric damper for ROOF TOP ACTI-
VA 045-090 (Accessory)**

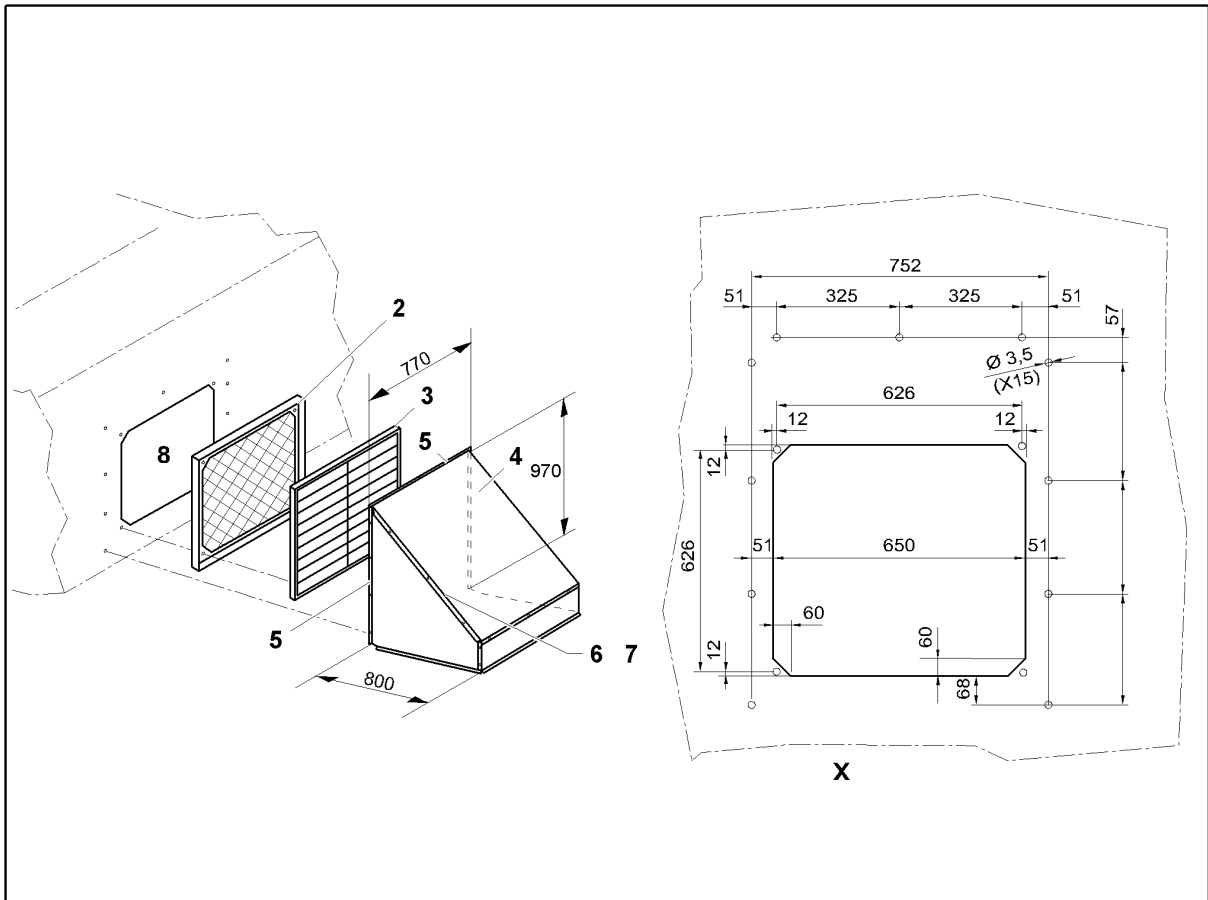
1.1 Assembly

1.1.1 Components for unit with lower return duct



- | | |
|-------------------------|-------------------|
| 1. Accessory side panel | 9. Air return |
| 3. Overpressure louvre | 10. Outdoor air |
| 4. Rain protection | 11. Extraction |
| 5. Rubber strip | A. Bolts |
| 6. Self-threading screw | B. Front closures |
| 7. Seal washer | |

1.1.2 Components for unit with side return duct



- | | |
|------------------------|-------------------------|
| 2. Grille / Support | 6. Self-threading screw |
| 3. Overpressure louvre | 7. Seal washer |
| 4. Rain protection | 8. See close-up "X" |
| 5. Rubber strip | |

1.2 List of components

This accessory consists of the components indicated in the table.

Pos.	Description	Qty.
1.	Side panel (with insulation)	1
2.	Grille / Support	1
3.	Overpressure louvre	1
4.	Rain protection	1
5.	Rubber sealing strip	7 m
6.	4.8x16 self-threading screws	30
7.	Seal washers	30
Barometric damper ROOF TOP		

1.3 General Information

This accessory can be used to relieve excess air pressure inside the air conditioned room when the ROOF TOP unit is fitted with an economiser or motorised damper and has no mechanical air exhaust.

When air enters the room from outside (because either the economiser or the motorised damper is active, depending on what is fitted in the ROOF TOP unit), the louvres will open and the excess air will be released to the return zone, relieving any excess pressure.

1.4 Installation

Installation in unit with lower return duct



NOTE

- For details on installation, see the figure in Chapter [Components for unit with lower return duct](#), see on page 2.
- This type of installation does not use the louvre support grille -2-.

- 1 Remove and dispose of the original side panel on the ROOF TOP, loosening the screws -A- and front closures -B-.



CAUTION

Do not lose the existing O-rings from the screws -A- (between the inside of the side panel and the tab on the base of the ROOF TOP).

- 2 Position the side panel -1-. Secure using the screws -A- and front closures -B-.



CAUTION

Refit the O-rings on the screws -A- to ensure the panel is sealed.

- 3 Place the overpressure louvre -3- on the side panel and secure with four self-threading screws supplied.
- 4 Prefit the rain protection assembly according to the close-up. Use the self-threading screws supplied and fit the seal washers on all of them. Also fit the rubber sealing strip on the 3 front tabs touching the side panel of the ROOF TOP.



NOTE

The strips must be fitted continuously, with no cuts and covering the screw holes.

- 5 Place the rain protection assembly on the side panel and secure using the self-threading screws supplied, also fitting the seal washers on each one.

Installation in unit with side return duct



NOTE

- For details on installation, see the figure in Chapter [Components for unit with lower return duct](#), see on page 2.
- This type of installation does not use the side panel -1-.

- 1 Prefit the rain protection assembly as indicated in Point 4 of the previous section (Installation in unit with lower return duct).
- 2 Make the installation holes in the front side of the duct as close as possible to the ROOF TOP, according to close-up -X-.



NOTE

The louvre -3- can be used as a template for the holes, along with the rain protection assembly -4-.

- 3 Place the grille / support -2- and the louvre -3- on the front side of the duct and secure both using the same self-threading screws (four).
- 4 Place the rain protection assembly on the front side of the duct and secure using the self-threading screws supplied, also fitting the seal washers on each one.



CAUTION

The rubber sealing strips must be fitted correctly as indicated in Point 4 of the previous section (Installation in unit with lower return duct).

Data and measurements subject to changes without prior notice.