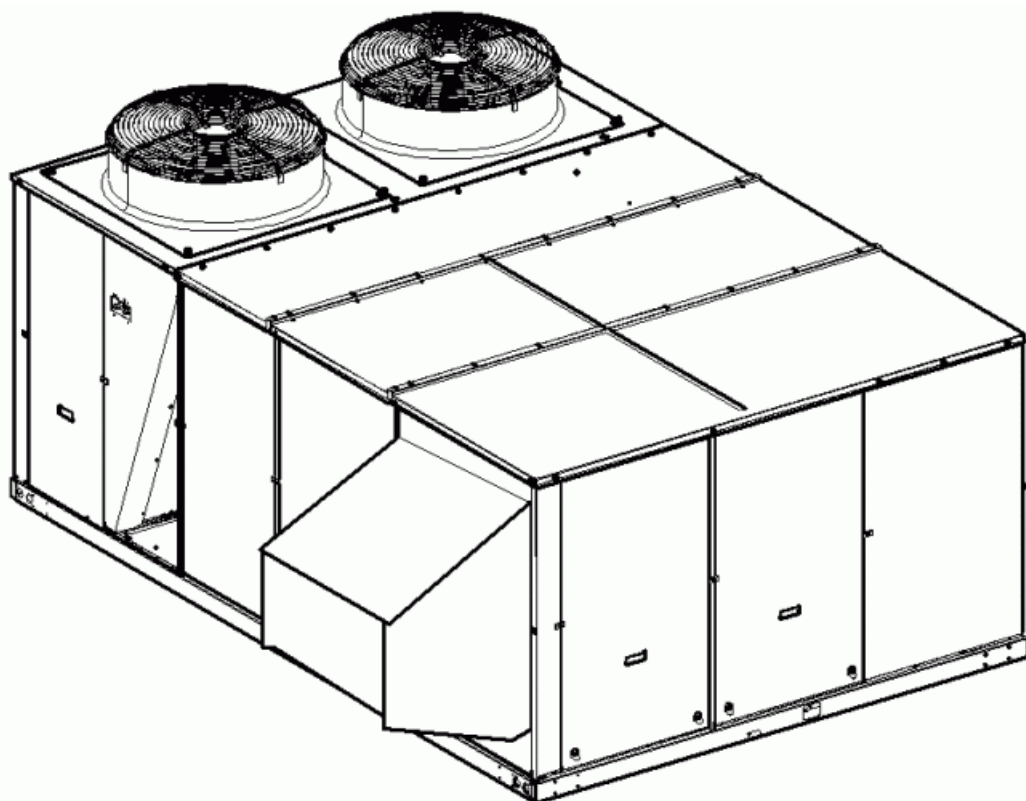




BY JOHNSON CONTROLS

Rain protection for economiser (Accessory for ROOF TOP ACTIVA 045-090)



Options and Accessories, Installation manual

Ref.: N-40319_EN 0809



Index

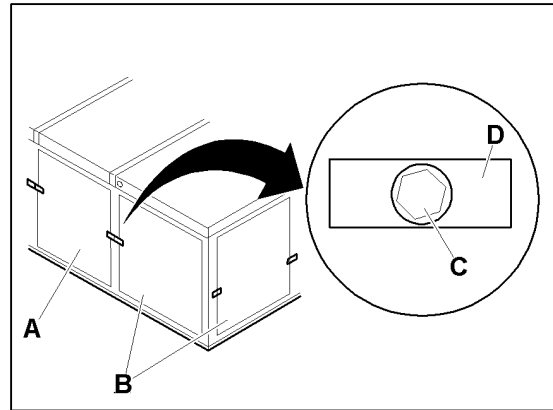
1	Rain protection for economiser (Accessory for ROOF TOP ACTIVA 045-090).....	1
1.1	Installation instructions.....	2

Rain protection for economiser (Accessory for ROOF TOP ACTIVA 045-090)

1.1 Installation instructions

Where the dampers are factory-fitted:

Remove one access panel to the return air compartment **-A-** and two access panels to the outside air compartment **-B-** using a 10 mm hexagonal socket wrench to loosen the bolts **-C-** on the retainers **-D-** and an 8 mm hexagonal socket wrench for the lower bolts securing the panels.



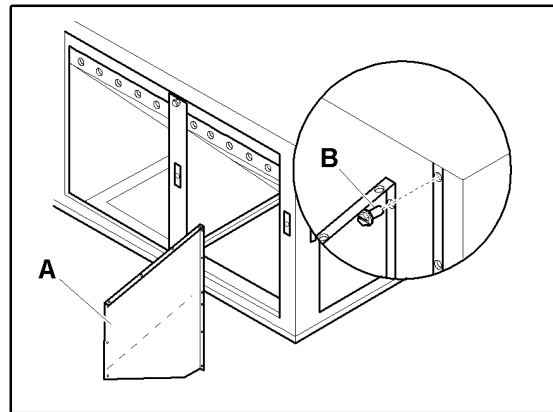
Where the dampers are site-fitted:

Separate the equipment packaging box and unpack the right-hand side panel.

Fit the right-hand side panel on the rain protection of the economiser **-A-** against the vertical edge of the equipment, ensuring the holes in the right-hand side panel face those on the frame (hidden by the rubber strip).

Insert and tighten the six self-threading screws **-B-** supplied with the rain protection assembly.

Unpack the lower filter support.

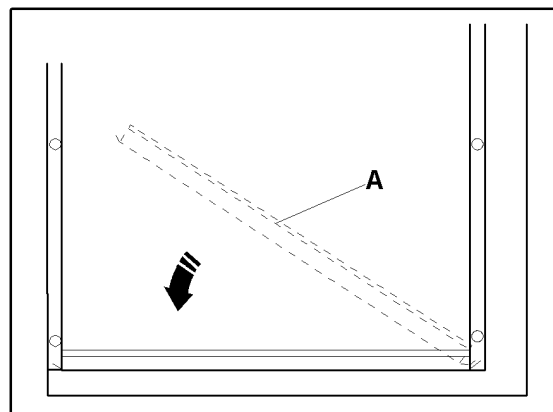


Tilt the lower filter support **-A-** so that the tab fits into the groove on the right-hand side panel. Then lower the support so that it rests on the equipment frame.

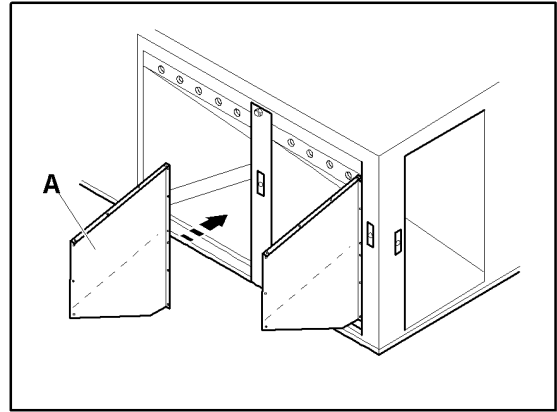


NOTE

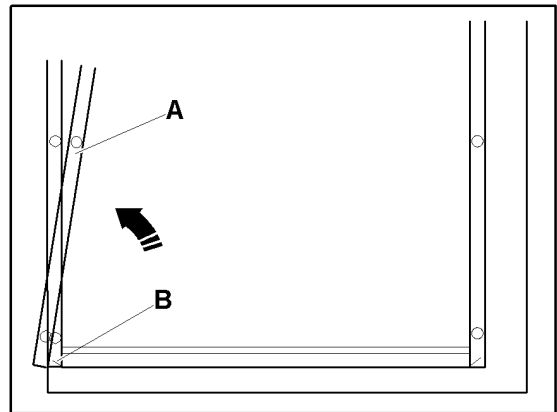
The diagram shows an inside view of the outside air section.



Unpack the left-hand side panel.

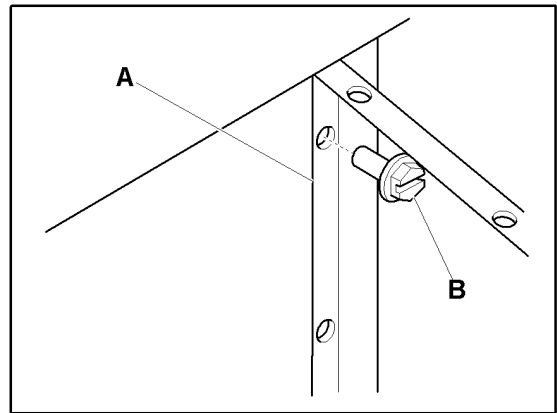


Tilt the left-hand side panel **-A-** to the right and fit so that the tab **-B-** on the lower filter support can be inserted into the groove at the bottom.

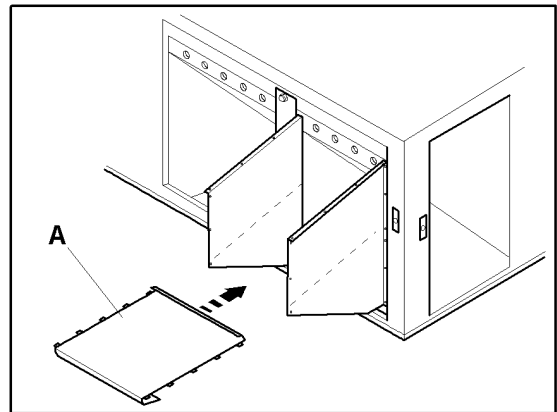


Re-position the left-hand side panel **-A-** vertically and line up the holes in it with those in the vertical support (hidden by the rubber strip).

Insert and tighten the six self-threading screws **-B-** supplied with the rain protection assembly.



Unpack the central panel **-A-**.



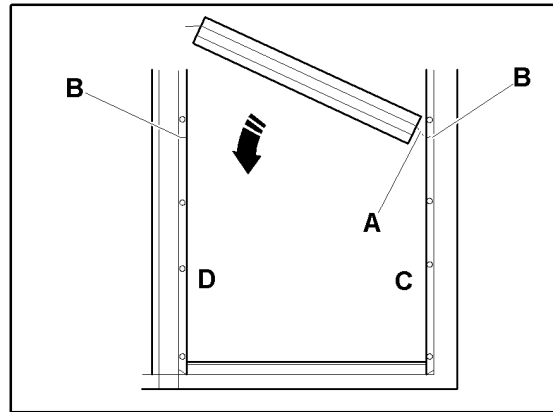
1.1 Installation instructions

Insert the tabs **-A-** on the central panel into the grooves **-B-** on the right-hand side panel **-C-**.



NOTE

The diagram shows an inside view of the outside air section.



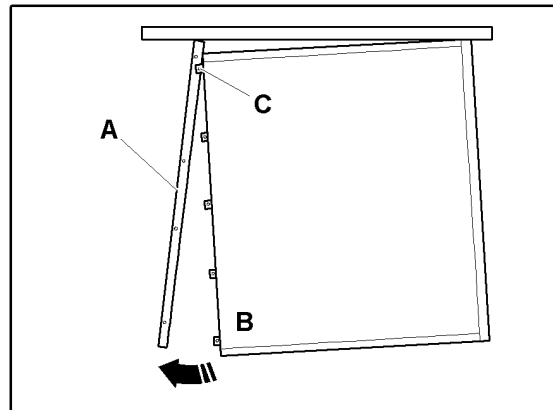
Push the left-hand side panel **-A-** to the left and raise the central panel in the zone **-B-** until the rear tab **-C-** fits into the groove in the left-hand side panel.

Insert the tabs on the central panel into the corresponding grooves.



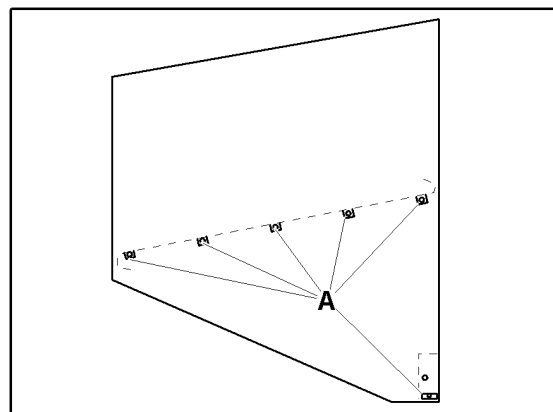
NOTE

The tabs are factory-bent slightly downwards for easier fitting.



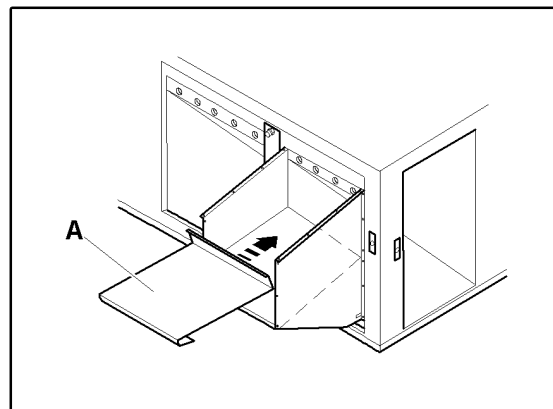
Bend the two tabs on the lower filter support upwards and all the others on the central panel downwards.

Insert and tighten the self-threading screws into the guide-holes **-A-** on each tab.



Unpack the upper panel **-A-**.

Fit the upper panel **-A-** over the right and left-hand side panels and push it towards the frame of the ROOF TOP.



When the upper panel is close to the frame, raise the panel and continue to push it until the edge protrudes from the upper tab.

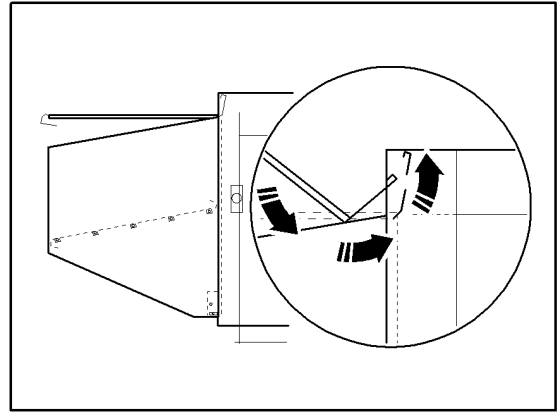
Lower the panel and make sure its edge hooks over the edge of the frame.

Fit the self-threading screws first to the top and then to the connection with the side panels.



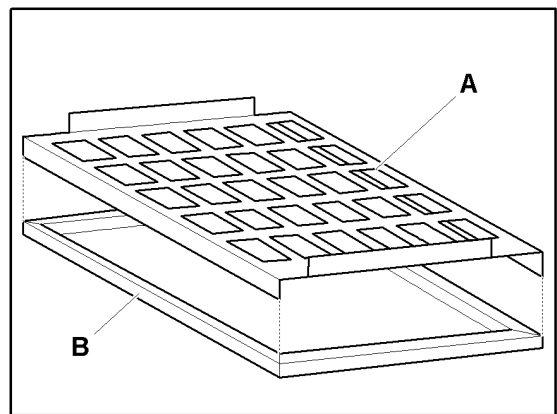
CAUTION

Where electric screwdrivers with batteries are used, be particularly careful to ensure the screws do not damage the metal parts.



Seal all seams and edges of the tabs with silicone (supplied).

Overlap the shutter grille -A- on each filter -B-.

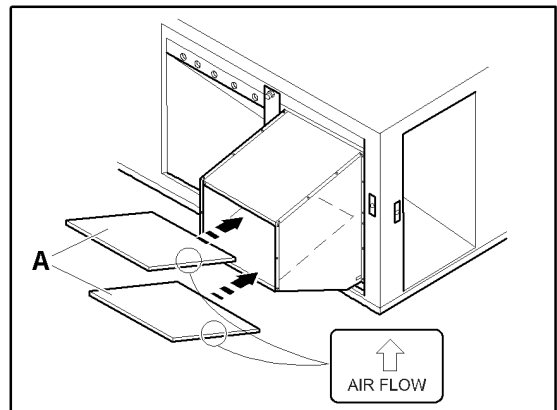


Fit the filters -A- next to the shutter grille in the top and bottom economiser rain protection sections.



CAUTION

The arrow indicates the direction of installation and must be pointing towards the inside of the equipment.



Fit and secure the equipment access panels.

Data and measurements subject to changes without prior notice.

