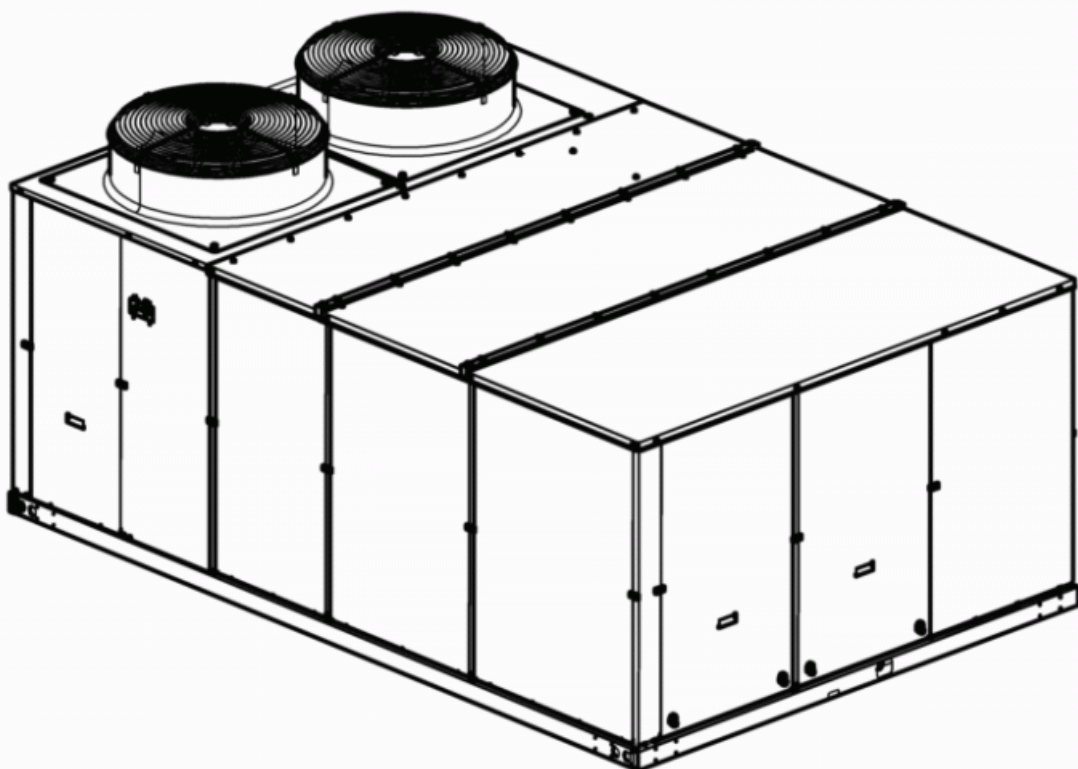




BY JOHNSON CONTROLS

## ACTIVA SERIES ROOF TOP Air Conditioners



Installation guide CD-ROM

Ref.: N-





## Index

1	Quick installation guide.....	1
1.1	Copyright.....	2
1.2	Introduction.....	2
1.3	Requirements.....	2
1.4	Accessing installation documentation.....	2
1.5	Contacting the manufacturer.....	2



1

---

## **Quick installation guide**

## 1.1 Copyright

© Copyright 2009 Johnson Controls Inc. – All rights reserved.

No part of this document may be reproduced, published, stored in an electronic database or transmitted in any form or by any means without the permission of Johnson Controls Inc.

In keeping with its policy of continuous improvement of product quality, Johnson Controls Inc. reserves the right to make changes at any time, without prior notification and without obligation to incorporate them into products already sold. As such, this document may have been subject to modification during the life of the product.

As a consequence, some images used for illustration may not correspond to this specific model. No claims will be accepted based on the data, illustrations or descriptions in this manual.

No modification may be made to the unit without prior written authorisation by the manufacturer.

## 1.2 Introduction

This guide contains instructions for accessing the installation documentation for the ACTIVA, ARC/ARG/ ARH/ARD 045, 060, 075, 090 SERIES ROOF TOP Air Conditioners.

The installation manuals for the ACTIVA, ARC/ARG/ ARH/ARD 045, 060, 075, 090 SERIES ROOF TOP air conditioners provide the necessary information for a correct and safe installation of the unit.

Along with the rest of the documents provided with the unit, they form an integral part of the user and installation manual. As such it is recommended to keep it in good condition in an appropriate place.

## 1.3 Requirements

To access the installation documentation for the ACTIVA, ARC/ARG/ ARH/ARD 045, 060, 075, 090 SERIES ROOF TOP air conditioners on your computer you need the Windows, Mac, or Linux operating system, a PDF reader, and a CD-Rom reader.



### INFORMATION

*If you do not have a PDF file reader, you can execute the Acrobat Reader installation file located in the / PDF folder on the CD-Rom.*

## 1.4 Accessing installation documentation

To access installation documentation, place the CD Rom in the reader of your computer, then open the PDF file corresponding the model to install.

## 1.5 Contacting the manufacturer

Contact Johnson Controls Inc. with any queries, complaints or claims or to order spare parts.

Johnson Controls Inc.

Paseo Espronceda 278 Sabadell 08204 (Barcelona) Spain

Website: [www.johnsoncontrols.com](http://www.johnsoncontrols.com)