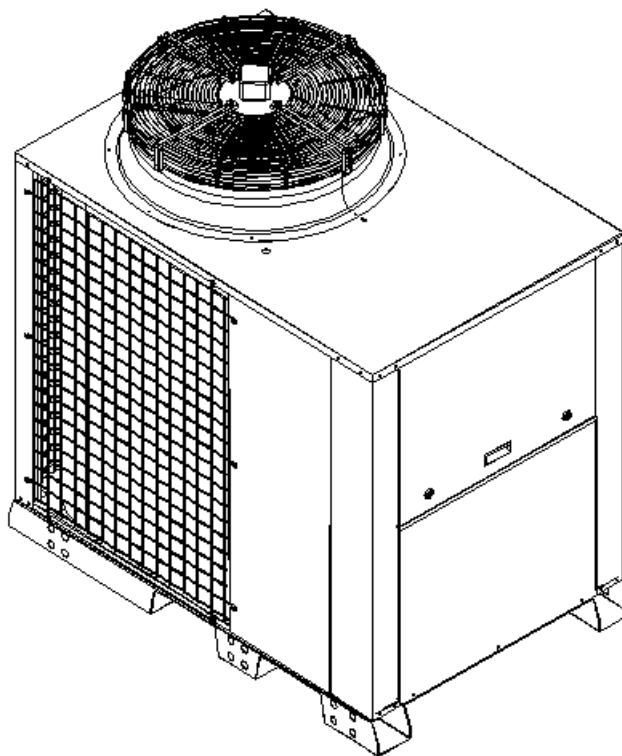




BY JOHNSON CONTROLS

VITALITY LARGE SPLIT AIR - AIR

Air conditioning units



Installation guide CD-Rom

Ref.: N-40354_EN 0210



Index

1	Quick installation guide.....	1
1.1	Copyright.....	2
1.2	Introduction.....	2
1.3	Requirements.....	2
1.4	Accessing installation documentation.....	2
1.5	Contacting the manufacturer.....	2

1

Quick installation guide

1.1 Copyright

© Copyright 2009 Johnson Controls Inc. – All rights reserved.

No part of this document may be reproduced, published, stored in an electronic database or transmitted in any form or by any means without the permission of Johnson Controls Inc.

In keeping with its policy of continuous improvement of product quality, Johnson Controls Inc. reserves the right to make changes at any time, without prior notification and without obligation to incorporate them into products already sold. As such, this document may have been subject to modification during the life of the product.

As a consequence, some images used for illustration may not correspond to this specific model. No claims will be accepted based on the data, illustrations or descriptions in this manual.

No modification may be made to the unit without prior written authorisation by the manufacturer.

1.2 Introduction

This guide includes the instructions to access the installation documents for the LARGE SPLIT AIR - AIR VITALITYSERIES Air Conditioners, outdoor VAC or VAH with indoor VIR.

The installation manual for the LARGE SPLIT AIR - AIR VITALITYSERIES Air Conditioners, VAC/VAH/VIR offers the necessary information for performing a safe and adequate installation of the unit.

Along with the rest of the documents provided with the unit, this document forms an integral part of the user and installation manual. As such, it should be kept in good condition in a suitable place.

1.3 Requirements

To access the installation documents for the LARGE SPLIT AIR - AIR VITALITYSERIES Air Conditioners, VAC/VAH/VIR on your computer you must have a Windows, Mac or Linux operating system, a PDF-format file reader and a CD-Rom.



NOTE

If you do not have a PDF file reader, you can run the Acrobat Reader installation file in the /PDF folder included in the CD-Rom.

1.4 Accessing installation documentation

To access unit installation documents, insert the CD-Rom into the drive in your PC and then open the PDF file corresponding to the model to be consulted.

1.5 Contacting the manufacturer

Contact Johnson Controls Inc. with any queries, complaints or claims or to order spare parts.

Johnson Controls Inc.

Paseo Espronceda, 278, Sabadell 08204 (Barcelona) Spain.

Website: www.johnsoncontrols.com