



ENGLISH

YDS041-007aW

INSTALLATION MANUAL

**CENTRAL CONTROL MONITOR NETWORK INTERFACE MODULE
AMR03M**

For correct installation, read this manual before starting installation.

Only trained and qualified service personnel should install, repair or service air conditioning equipment. Users should not install the air conditioner by themselves.

All pictures are only sketches. If there is any difference between pictures in this manual and the actual shape of the air conditioner you purchased, the actual shape shall prevail.

ACCESSORIES

1. Central Control Monitor AMR03M

Number	Name	Quantity	Note
1	Central Control Monitor	1	AMR03M
2	Mounting Screw	2	GB823-88 M4X25
3	Mounting Screw	2	GB950-86 M4X20
4	Installation Manual	1	YDS04I—007aW
5	Owner's Manual	1	YDS04U—007aW

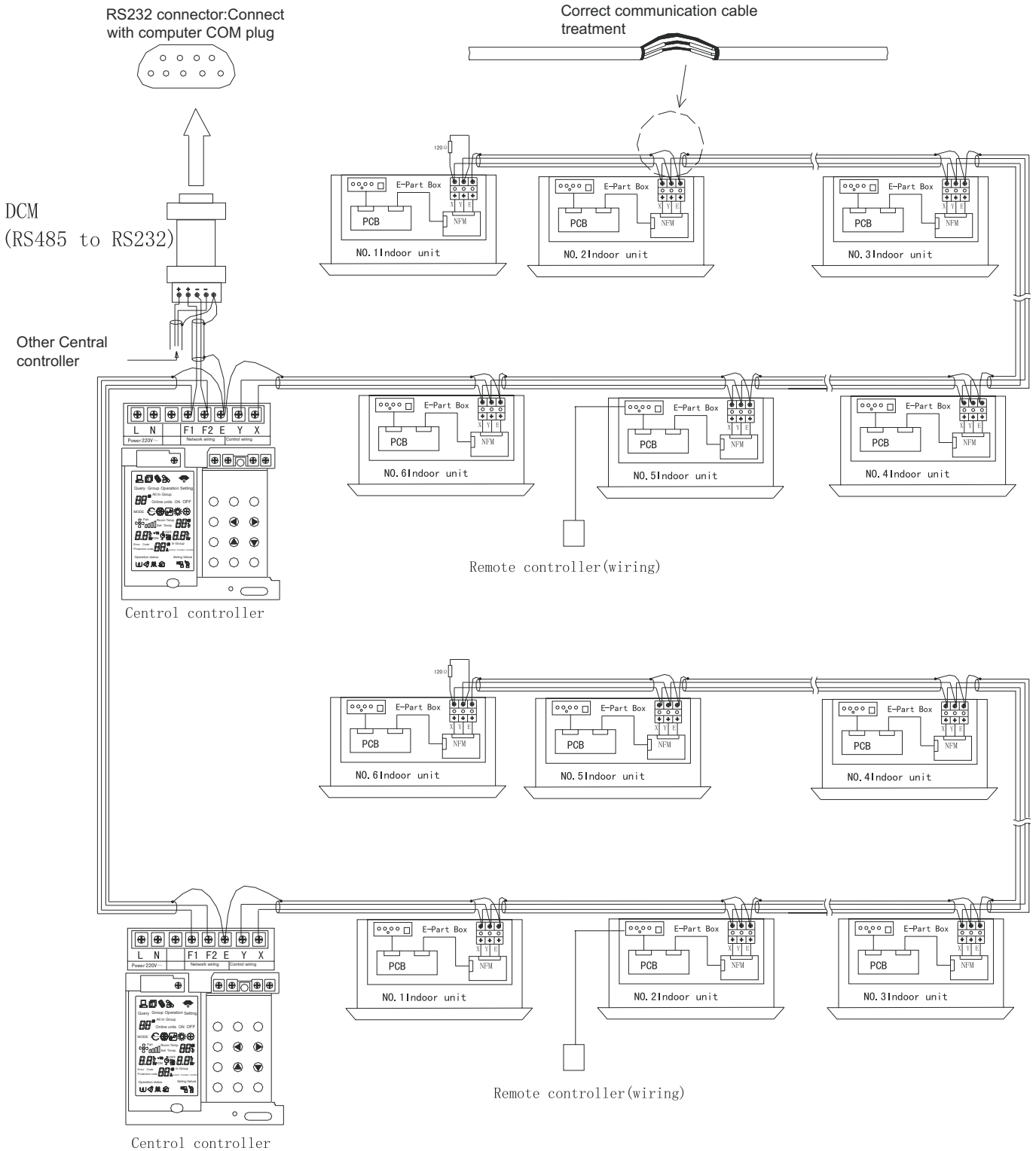
2. Prepare on field

Number	Name	Quantity (Install into wall)	Model	Note
1	2-core shield double-twisted wire	2	RVVP-300/300 $3 \times 0.75\text{mm}^2$	One is to communicate with NIM, another is to communicate with PC
2	3-core wire	1	RVV-300/500 $3 \times 1.5\text{mm}^2$	For power of CCM
3	Electrical Switch Box	1	-----	-----
4	Electrical Wiring Tube (Sieve plate and Tightening Screw Nut)	2 or 3	-----	-----
5	Binding Wire	-----	-----	For binding cables

Remarks: The diameter of shield wires must be adjusted according to the length of connection wire.

WIRING

The indoor units have two types: the NIM is outside PCB, or the NIM is inside PCB.



Note: In above wiring, module of Rs485 to Rs232 and connection wire will be used only when the network system needs PC. One PC can connect max. 16 CCM, that is, it can connect max. $16 \times 64 = 1024$ sets indoor units.

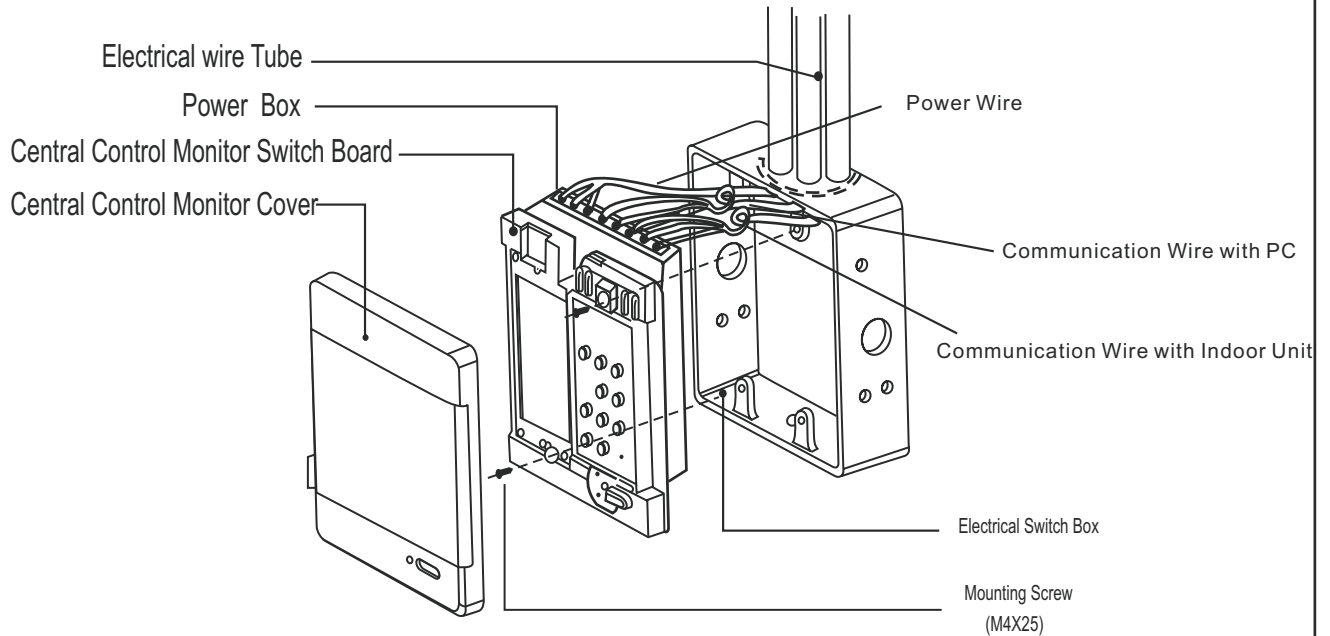
INSTALLATION PROCEDURE

1. Adopt Electrical Switch Box

The diameter of Central Control Monitor wire must be suitable for its length.

Electrical wiring tube must be suitable for the wires.

Turn a screwdriver at the concave on bottom panel of the Central Control Monitor to remove the cover.



⚠ NOTE

Never turn screws too tightly, otherwise the cover would be dented, or the Liquid Crystal would be broken.

Do not cut wires when installing the cover of Central Control Monitor.

2. Installation of CCM

(1) The terminal P, Q, E at the back of CCM are connected to the terminal P, Q, E of PC.

The CCM power connects 220V~ 50Hz power directly to the terminal L, N,  At the back of wire controller.

(2) The communication cable of CCM and power cable should not be placed in the same electrical wire tube and the two tubes should have 300-500mm distance.

(3) The length of CCM communication cable should not exceed 1200m.

(4) The shield cable should try to avoid middle transfer connector. If have connectors, it had better to connect by terminal block.

(5) After finishing connection, do not use Megger to have the insulation check to the signal wire.

SAFETY PRECAUTIONS

- Please read this safety precaution carefully before installation.
- Do observe the following safety precautions, for they are very important.
- Meaning of marks:

	CAUTION	This sign warns of risk of death or serious injury
	NOTE	This sign warns of injury or damage to property

- Confirm there is no abnormal phenomena during test operation after installation completed, then hand the manual to the user.



CAUTION

Installation must be conducted by professionals.

Others may perform improper installation which cause electric shock or fire.

Follow this manual as strictly as possible. Improper installation may cause electric shock or fire

Another installation must be performed by professionals

Improper installation may cause electric shock or fire

Don't disassemble your air conditioner at will

A random disassembly may cause abnormal operation or heating, which may result in fire.



NOTE

Don't install it in a place where combustible gas easily leaks

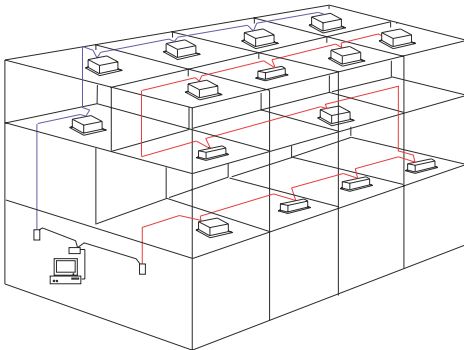
Once combustible gas leaks and remains around Central Control Monitor, fire may be caused.

Wire must be suitable for the current of Central Control Monitor.

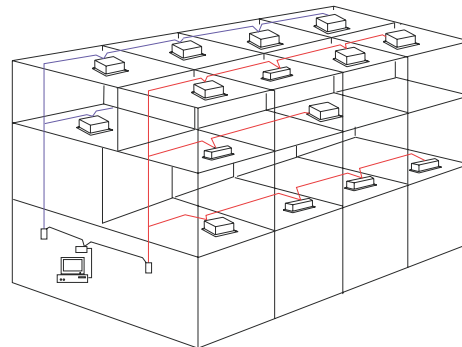
Otherwise electricity leakage or heating may be caused, which may result in fire.

SYSTEM WIRING

1、Wiring Sketch Map of Building Network Air-conditioning System



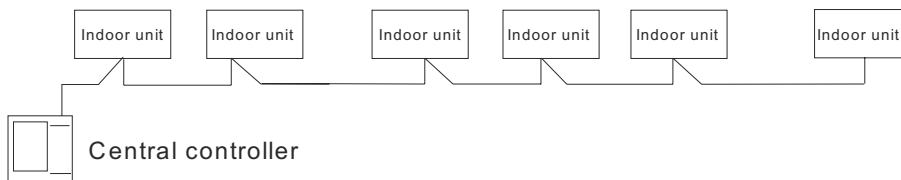
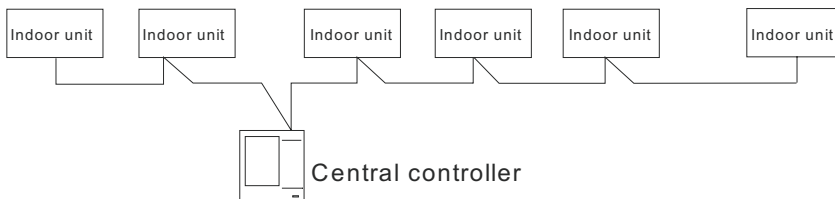
Recommend Correct connection
(Better communication effect)



Correct connection (worse communication effect)

2、Wiring Sketch Map of CCM and Indoor Units

Both of following connection is correct (Total indoor units number under one central controller ≤ 64)



DE - COMMISSIONING DISMANTLING & DISPOSAL

This product contains refrigerant under pressure, rotating parts, and electrical connections which may be a danger and cause injury!

All work must only be carried out by competent persons using suitable protective clothing and safety precautions.



Read the Manual



Risk of electric shock



Unit is remotely controlled
and may start without warning

1. Isolate all sources of electrical supply to the unit including any control system supplies switched by the unit. Ensure that all points of electrical and gas isolation are secured in the OFF position. The supply cables and gas pipework may then be disconnected and removed. For points of connection refer to unit installation instructions.
2. Remove all refrigerant from each system of the unit into a suitable container using a refrigerant reclaim or recovery unit. This refrigerant may then be re-used, if appropriate, or returned to the manufacturer for disposal. **Under No circumstances should refrigerant be vented to atmosphere.** Where appropriate, drain the refrigerant oil from each system into a suitable container and dispose of according to local laws and regulations governing disposal of oily wastes.
3. Packaged unit can generally be removed in one piece after disconnection as above. Any fixing down bolts should be removed and then unit lifted from position using the points provided and equipment of adequate lifting capacity. Reference MUST be made to the unit installation instructions for unit weight and correct methods of lifting. Note that any residual or spilt refrigerant oil should be mopped up and disposed of as described above.
4. After removal from position the unit parts may be disposed of according to local laws and regulations.