

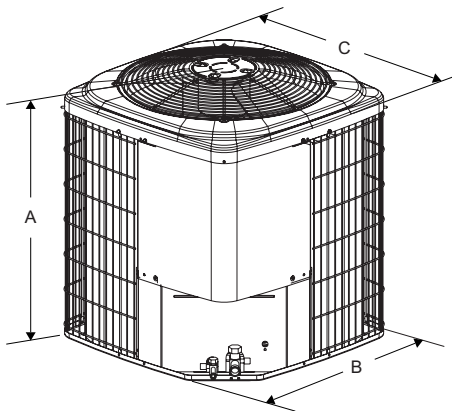
Outdoor Split System Air Conditioner 3 Thru 6.3 Tons Models GCGA36 Thru 76 10 SEER – R-22/R-407C, 3 Phase (50 Hz)

Physical and Electrical Data

Model	GCGA36S26S3	GCGA48S26S3	GCGA60S26S3	GCGA76S26S3
Unit Supply Voltage	380 - 415V, 3 ϕ , 50Hz			
Normal Voltage Range ¹	342 to 455			
Minimum Circuit Ampacity	8.4	13.1	16.0	15.5
Max. Overcurrent Device Amps ²	15	20	25	25
Min. Overcurrent Device Amps ³	15	15	20	20
Multi-Stage Compressor	No	No	No	No
Compressor Type	Recip	Recip	Scroll	Scroll
Compressor Amps	Rated Load	6.1	9.0	11.3
	Locked Rotor	39.0	53.0	87.0
Crankcase Heater	No	No	No	No
Fan Diameter Inches	18	22	24	24
Fan Motor	Rated HP	1/4	1/3	1/3
	Rated Load Amps	0.80	1.90	1.90
	Nominal RPM	1100	1075	1075
	Nominal CFM	2150	3450	3650
Coil	Face Area Sq. Ft.	11.2	14.2	20.0
	Rows Deep	1	1	1
	Fin / Inches	18	18	18
Liquid Line Set OD (Field Installed)	3/8	3/8	3/8	1/2
Vapor Line Set OD (Field Installed)	3/4	7/8	7/8	1-1/8
R-22 Indoor Orifice	0.068	0.081	0.090	TXV
R-22 Unit Charge (Lbs. - Oz.) ⁴	5 - 10	7 - 2	8 - 11	10 - 12
R-22 Charge Per Foot, Oz.	0.68	0.70	0.70	1.26
R-407C Indoor Orifice	0.067	0.080	0.089	TXV
R-407C Unit Charge (Lbs. - Oz.) ⁴	5 - 12	7 - 5	9 - 4	11 - 0
R-407C Charge Per Foot, Oz.	0.63	0.65	0.65	1.20
Operating Weight Lbs.	145	165	185	200

1. Rated in accordance with ARI Standard 110, utilization range "A".
2. Dual element fuses or HACR circuit breaker.
3. Dual element fuses or HACR circuit breaker.
4. Since these products will operate with either R-22 or R-407C, they have been shipped from the factory without refrigerant. Charge weights shown are for 15' of interconnecting linesets and must be added by the technician installing the product.

All dimensions are in inches. They are subject to change without notice. Certified dimensions will be provided upon request.



Unit Model	Dimensions (Inches)			Refrigerant Connection Service Valve Size	
	A ¹	B	C	Liquid	Vapor
36	32	23-1/2	23-1/2	3/8"	3/4"
48	30	29	29		7/8"
60	34	33-1/2	33-1/2		
76	40	33-1/2	33-1/2	1/2"	1-1/8"

1. Including Fan Guard

